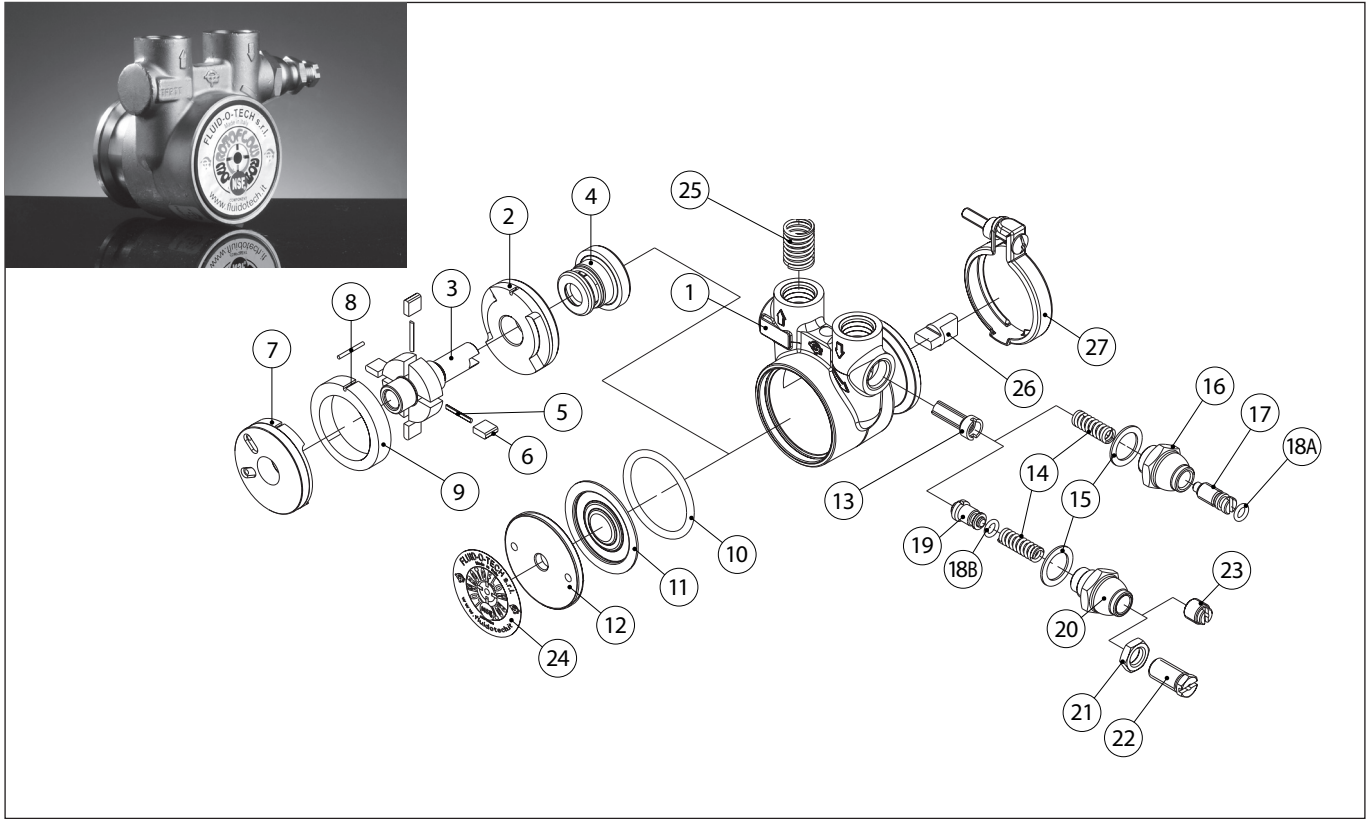


Brass rotary vane pumps

CO 50-200 series



POS	DESCRIPTION	MATERIAL	CODE	NOTES
1	HOUSING	BRASS	24-01-01	
			24-01-09	
2	REAR FLANGE	GRAPHITE	22-03-08	
3	ROTOR	S.S.	24-02-02	
4	MECHANICAL SEAL	CERAMIC/NBR	90-40-02	NSF/WRAS
		CERAMIC/MITON®	90-40-04	
		CERAMIC/EPDM	90-40-06	
5	VANE PIN	S.S.	22-07-02	50 l/h
			22-07-03	70 l/h
			22-07-04	100 l/h
			22-07-06	150 l/h
			22-07-08	200 l/h
6	VANE	GRAPHITE	24-04-03	
7	FRONT FLANGE	GRAPHITE	22-03-06	
8	ALIGNMENT PIN	S.S.	24-07-01	
9	LINER	GRAPHITE	24-05-17	50 l/h
			24-05-18	70 l/h
			24-05-11	100 l/h
			24-05-12	150 l/h
			24-05-13	200 l/h

POS	DESCRIPTION	MATERIAL	CODE	NOTES
10	O-RING	NBR	90-23-13	NSF/WRAS
		VITON®	90-23-21	
		EPDM	90-23-14	
11	SHAPED DISK	S.S.	22701	
12	THREADED CAP	ALUMINUM	22-08-02	
13	OPEN VALVE	BRASS	22307	
		PLASTIC	22-16-13	
		BRASS	22-16-02	
13	SOLID VALVE	BRASS	22-16-02	
		PLASTIC	22-16-15	
14	SPRING	S.S.	22505	
15	WASHER	NYLON	22-12-01	
16	BYPASS NUT	BRASS	22-20-01	
17	BYPASS SCREW	BRASS	22-17-03	
18A	BYPASS SCREW O-RING	NBR	90-23-16	NSF/WRAS
		VITON®	90-23-20	
		EPDM	90-23-24	
18B	BALANCED BYPASS SCREW O-RING	NBR	90-23-138	
		VITON®	90-23-141	
		EPDM	90-23-140	
19	BYPASS PLUNGER	BRASS	22-18-03	
		PLASTIC	22-18-09	
20	BALANCED BYPASS NUT	BRASS	22-20-12	
21	LOCK NUT	PLASTIC	22-20-09	
22	BALANCED BYPASS SCREW	BRASS	22-17-02	
23	BALANCED BYPASS SCREW	BRASS	22-17-04	C----2 SERIES
24	LABEL		99-01-01	
			99-01-02	
25	SPRING	S.S.	22023	NSF
26	COUPLING	BRASS	91-03-07	
27	ASSEMBLED CLAMP	S.S.	94-80-01	

Fluid-o-Tech reserves the right to alter the specifications indicated in this catalogue at any time and without prior notice.

Fluid-o-Tech srl
Via Leonardo da Vinci, 40
20094 Corsico, Milano, Italy
Tel. +39 02 9995 01
Fax +39 02 9995 0999
info@fluidotech.it

Fluid-o-Tech Int'l Inc.
161 Atwater St.,
06479 Plantsville CT (USA)
Tel. +1 (860) 276 9270
Fax +1 (860) 620 0193
info@fluid-o-tech.com

Fluid-o-Tech Int'l Inc. Japan
2nd Floor, 4-3-8, Espoir Todoroki,
Todoroki, Setagaya, Tokyo 158-0082
Tel. +81 (0) (3) 6432 1812
Fax +81 (0) (3) 6432 1813
erkkato@fluidotech.jp

Fluid-o-Tech Asia (Shanghai) Co., Ltd.
2/F, Factory building 6 (1), No. 258, Zhijiang Road,
Fengxian District, Shanghai City, Z.P.: 201499 China
Tel. +86 (021) 67100 838
Fax +86 (021) 67100 605
info@fluidotech-asia.com