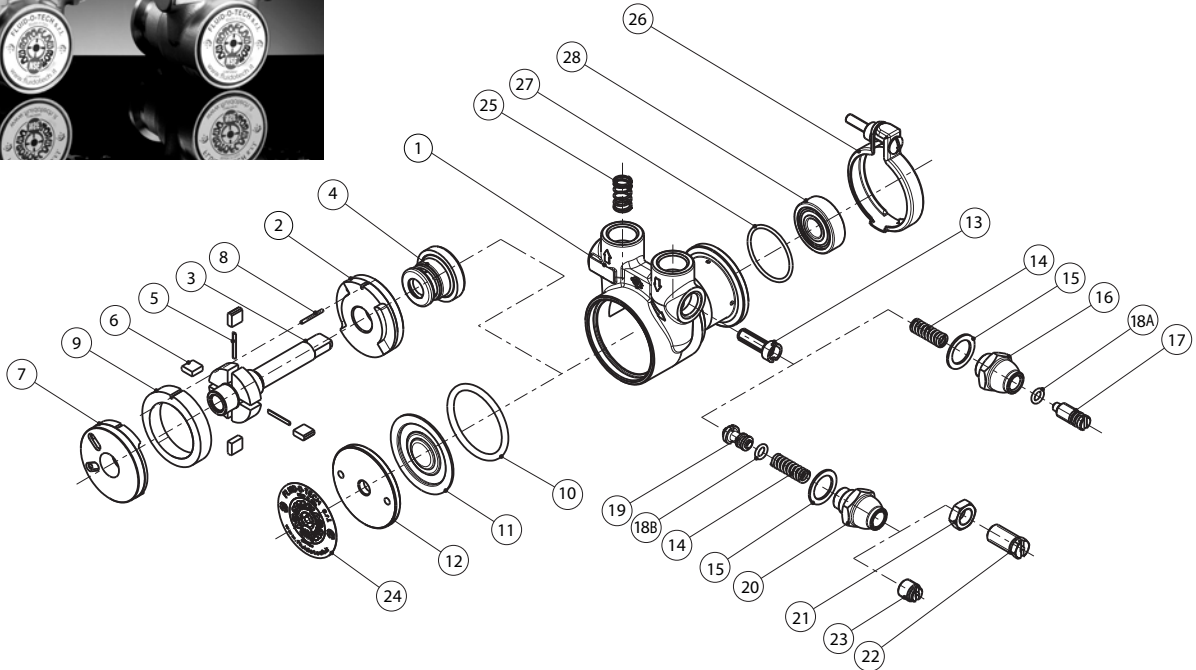


Drehschieberpumpen Serie MO 50-200



POS	BESCHREIBUNG	MATERIAL	CODE	ANMERKUNGEN
1	KÖRPER	MESSING	26-01-01	ANSCHLÜSSE NPT
			26-01-02	ANSCHLÜSSE GAS
			26-01-06	ANSCHLÜSSE GAS + TP
			26-01-10	ANSCHLÜSSE GAS Pb < 0.2
			26-01-11	ANSCHLÜSSE NPT Pb < 0.2
			26-01-05	ANSCHLÜSSE GAS
2	ROTOR	EDELSTAHL	26-01-08	ANSCHLÜSSE NPT
			26-02-01	"D"
			26-02-02	"I" 4.75
3	HINTERER FLANSCH	GRAPHIT	26-02-03	"I" 3.4
			22-03-08	
4	DICHTUNG	KERAMIK/NBR	90-40-02	NSF/WRAS
		KERAMIK/VITON®	90-40-04	
		KERAMIK/EPDM	90-40-06	
5	STIFT	EDELSTAHL	22-07-02	50 l/h
			22-07-03	70 l/h
			22-07-04	100 l/h
			22-07-06	150 l/h
			22-07-08	200 l/h
6	SCHIEBER	GRAPHIT	24-04-03	

POS	BESCHREIBUNG	MATERIAL	CODE	ANMERKUNGEN
7	VORDERER FLANSCH	GRAPHIT	22-03-06	
8	AUSRICHTUNGSSTIFT	EDELSTAHL	24-07-01	
			24-05-17	50 l/h
			24-05-18	70 l/h
9	STATOR	GRAPHIT	24-05-11	100 l/h
			24-05-12	150 l/h
			24-05-13	200 l/h
		NBR	90-23-13	NSF/WRAS
10	O-RING	VITON®	90-23-21	
		EPDM	90-23-14	
11	FORMSCHEIBE	EDELSTAHL	22701	
12	RING	ALUMINIUM	22-08-02	
		MESSING	22-16-05	
	VENTIL GEÖFFNET	KUNSTSTOFF	22-16-12	
13		EDELSTAHL	22-16-07	
		MESSING	22-16-02	
	VENTIL GESCHLOSSEN	KUNSTSTOFF	22-16-01	
		EDELSTAHL	22-16-03	
14	FEDER	EDELSTAHL	22505	
15	U-SCHEIBE	NYLON	22-12-01	
		MESSING	22-20-01	
16	MUTTER BYPASS	EDELSTAHL	22-20-04	
17	SCHRAUBE BYPASS	MESSING	22-17-03	
		NBR	90-23-16	NSF/WRAS
18A	O-RING SCHRAUBE BYPASS	VITON®	90-23-20	
		EPDM	90-23-24	
		NBR	90-23-138	
18B	O-RING SCHRAUBE MODULATOR	VITON®	90-23-141	
		EPDM	90-23-140	
		MESSING	22-18-13	
19	KOLBEN	KUNSTSTOFF	22-18-09	
		MESSING	22-20-12	
20	MUTTER MODULATOR	EDELSTAHL	22-20-14	
21	GEGENMUTTER	KUNSTSTOFF	22-20-09	
22	SCHRAUBE MODULATOR	MESSING	22-17-02	
23	SCHRAUBE MODULATOR	MESSING	22-17-04	
			99-01-01	
24	ETIKETT		99-01-02	NSF
25	FEDER	EDELSTAHL	01-15-01	
26	METALLSCHELLE	EDELSTAHL	94-80-01	
27	O-RING	NBR	90-23-26	
28	LAGER	STAHL	90-22-01	

Fluid-o-Tech behält sich das Recht vor, die angegebenen Eigenschaften jederzeit und unangekündigt zu verändern.

Fluid-o-Tech srl
Via Leonardo da Vinci, 40
20094 Corsico, Milano, Italy
Tel. +39 02 9995 01
Fax +39 02 9995 0999
info@fluidotech.it

Fluid-o-Tech Int'l Inc.
161 Atwater St.,
06479 Plantsville CT (USA)
Tel. +1 (860) 276 9270
Fax +1 (860) 620 0193
info@fluid-o-tech.com

Fluid-o-Tech Int'l Inc. Japan
201, 4-3-10, Todoroki,
Setagaya, Tokyo 158-082, Japan
Tel. +81 (0) (3) 6432 1812
Fax +81 (0) (3) 6432 1813
erkkato@fluidotech.jp

Fluid-o-Tech Asia (Shanghai) Co., Ltd.
2/F, Factory building 6 (1), No. 258, Zhijiang Road,
Fengxian District, Shanghai City, Z.P.: 201499 China
Tel. +86 (021) 67100 838
Fax +86 (021) 67100 605
info@fluidotech-asia.com