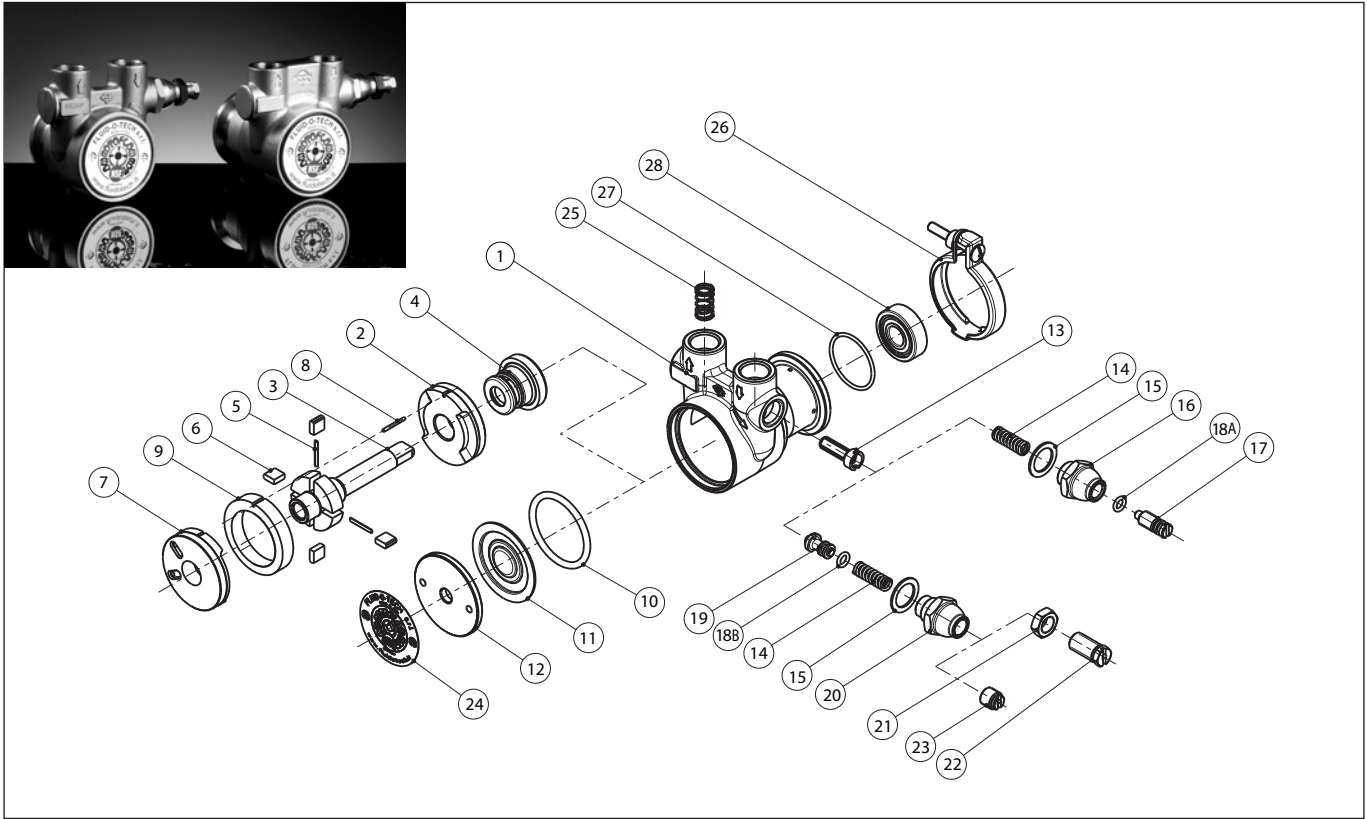


Brass and stainless steel rotary vane pumps MO 50-200 series



POS	DESCRIPTION	MATERIAL	CODE	NOTES
1	HOUSING	BRASS	26-01-01	NPT PORTS
			26-01-02	GAS PORTS
			26-01-06	GAS PORTS + TP
			26-01-10	GAS PORTS Pb < 0.2
			26-01-11	NPT PORTS Pb < 0.2
			26-01-05	GAS PORTS
2	ROTOR	S.S.	26-01-08	NPT PORTS
			26-02-01	"D"
			26-02-02	"I" 4.75
3	REAR FLANGE	GRAPHITE	26-02-03	"I" 3.4
			22-03-08	
			90-40-02	NSF/WRAS
4	MECHANICAL SEAL	CERAMIC/NBR	90-40-04	
		CERAMIC/VITON®	90-40-06	
		CERAMIC/EPDM		
5	VANE PIN	S.S.	22-07-02	50 l/h
			22-07-03	70 l/h
			22-07-04	100 l/h
			22-07-06	150 l/h
			22-07-08	200 l/h
6	VANE	GRAPHITE	24-04-03	

Brass and stainless steel rotary vane pumps MO 50-200 series

POS	DESCRIPTION	MATERIAL	CODE	NOTES
7	FRONT FLANGE	GRAPHITE	22-03-06	
8	ALIGNMENT PIN	S.S.	24-07-01	
9	LINER	GRAPHITE	24-05-17	50 l/h
			24-05-18	70 l/h
			24-05-11	100 l/h
			24-05-12	150 l/h
			24-05-13	200 l/h
10	O-RING	NBR	90-23-13	NSF/WRAS
		VITON®	90-23-21	
		EPDM	90-23-14	
11	SHAPED DISK	S.S.	22701	
12	THREADED CUP	ALUMINIUM	22-08-02	
13	OPEN VALVE	BRASS	22-16-05	
		PLASTIC	22-16-12	
	SOLID VALVE	S.S.	22-16-07	
		BRASS	22-16-02	
		PLASTIC	22-16-01	
14	SPRING	S.S.	22-16-03	
14	SPRING	S.S.	22505	
15	WASHER	NYLON	22-12-01	
16	BYPASS NUT	BRASS	22-20-01	
		S.S.	22-20-04	
17	BYPASS SCREW	BRASS	22-17-03	
18A	BYPASS SCREW O-RING	NBR	90-23-16	NSF/WRAS
		VITON®	90-23-20	
		EPDM	90-23-24	
18B	BALANCED BYPASS SCREW O-RING	NBR	90-23-138	
		VITON®	90-23-141	
		EPDM	90-23-140	
19	BYPASS PLUNGER	BRASS	22-18-13	
		PLASTIC	22-18-09	
20	BALANCED BYPASS NUT	BRASS	22-20-12	
		S.S.	22-20-14	
21	LOCK NUT	PLASTIC	22-20-09	
22	BALANCED BYPASS SCREW	BRASS	22-17-02	
23	BALANCED BYPASS SCREW	BRASS	22-17-04	
24	LABEL		99-01-01	
			99-01-02	NSF
25	SPRING	S.S.	01-15-01	
26	ASSEMBLED CLAMP	S.S.	94-80-01	
27	O-RING	NBR	90-23-26	
28	BEARING	STEEL	90-22-01	

Fluid-o-Tech reserves the right to alter the specifications indicated in this catalogue at any time and without prior notice.

Fluid-o-Tech srl
Via Leonardo da Vinci, 40
20094 Corsico, Milano, Italy
Tel. +39 02 9995 01
Fax +39 02 9995 0999
info@fluidotech.it

Fluid-o-Tech Int'l Inc.
161 Atwater St.,
06479 Plantsville CT (USA)
Tel. +1 (860) 276 9270
Fax +1 (860) 620 0193
info@fluid-o-tech.com

Fluid-o-Tech Int'l Inc. Japan
201, 4-3-10, Todoroki,
Setagaya, Tokyo 158-082, Japan
Tel. +81 (0) (3) 6432 1812
Fax +81 (0) (3) 6432 1813
erkkato@fluidotech.jp

Fluid-o-Tech Asia (Shanghai) Co., Ltd.
2/F, Factory building 6 (1), No. 258, Zhijiang Road,
Fengxian District, Shanghai City, Z.P.: 201499 China
Tel. +86 (021) 67100 838
Fax +86 (021) 67100 605
info@fluidotech-asia.com