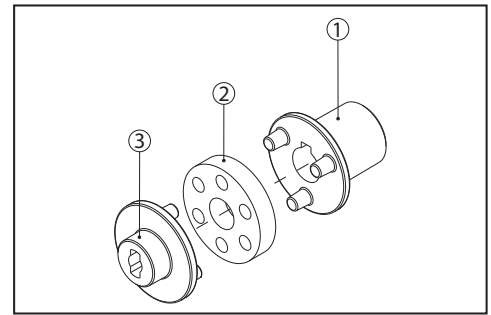
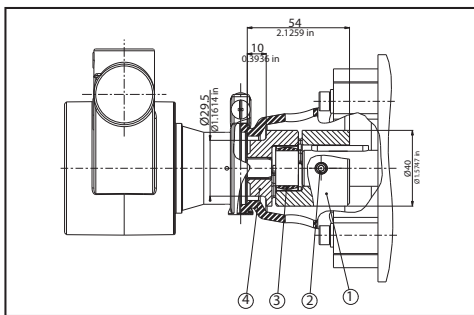


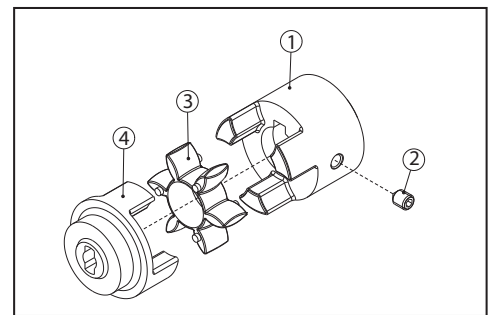
M71 - B14 (91-81-05)



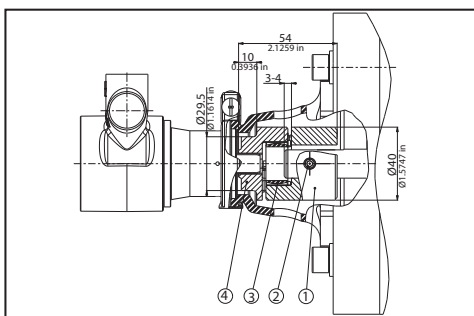
POS	DESCRIPTION	MATERIAL	CODE	QUANTITY
1	COUPLING WITH 14 mm BORE	BRASS	91-01-06	1
2	INSERT	RUBBER	91-02-03	1
3	COUPLING - FLAT SIDE	BRASS	91-01-03	1



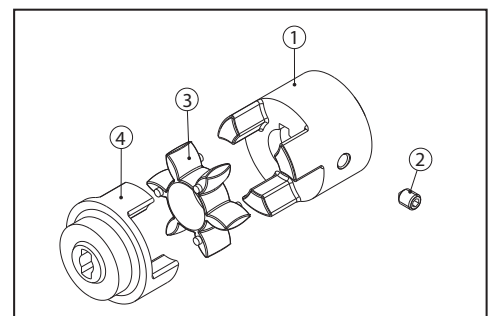
M80 - B14 (91-81-08)



POS	DESCRIPTION	MATERIAL	CODE	QUANTITY
1	COUPLING WITH 19 mm BORE	STEEL	91-01-12	1
2	SET SCREW M6X8 mm	STEEL	90-03-05	1
3	INSERT	RUBBER	91-02-02	1
4	COUPLING - FLAT SIDE	STEEL	91-01-08	1



NEMA 56C(91-81-11)



POS	DESCRIPTION	MATERIAL	CODE	QUANTITY
1	COUPLING WITH 5/8" BORE	STEEL	91-01-11	1
2	SET SCREW M6X8 mm	STEEL	90-03-05	1
3	INSERT	RUBBER	91-02-02	1
4	COUPLING - FLAT SIDE	STEEL	91-01-08	1

Fluid-o-Tech reserves the right to alter the specifications indicated in this catalogue at any time and without prior notice.

Fluid-o-Tech srl
Via Leonardo da Vinci, 40
20094 Corsico, Milano, Italy
Tel. +39 02 9995 01
Fax +39 02 9995 0999
info@fluidotech.it

Fluid-o-Tech Int'l Inc.
161 Atwater St.,
06479 Plantsville CT (USA)
Tel. +1 (860) 276 9270
Fax +1 (860) 620 0193
info@fluid-o-tech.com

Fluid-o-Tech Int'l Inc. Japan
201, 4-3-10, Todoroki,
Setagaya, Tokyo 158-082, Japan
Tel. +81 (0) (3) 6432 1812
Tel. +81 (0) (3) 6432 1813
Fax +81 (0) (3) 6432 1813
erkato@fluidotech.jp

Fluid-o-Tech Asia (Shanghai) Co., Ltd.
2/F, Factory building 6 (1), No. 258, Zhijiang Road,
Fengxian District, Shanghai City, Z.P.: 201499 China
Tel. +86 (021) 67100 838
Fax +86 (021) 67100 605
info@fluidotech-asia.com