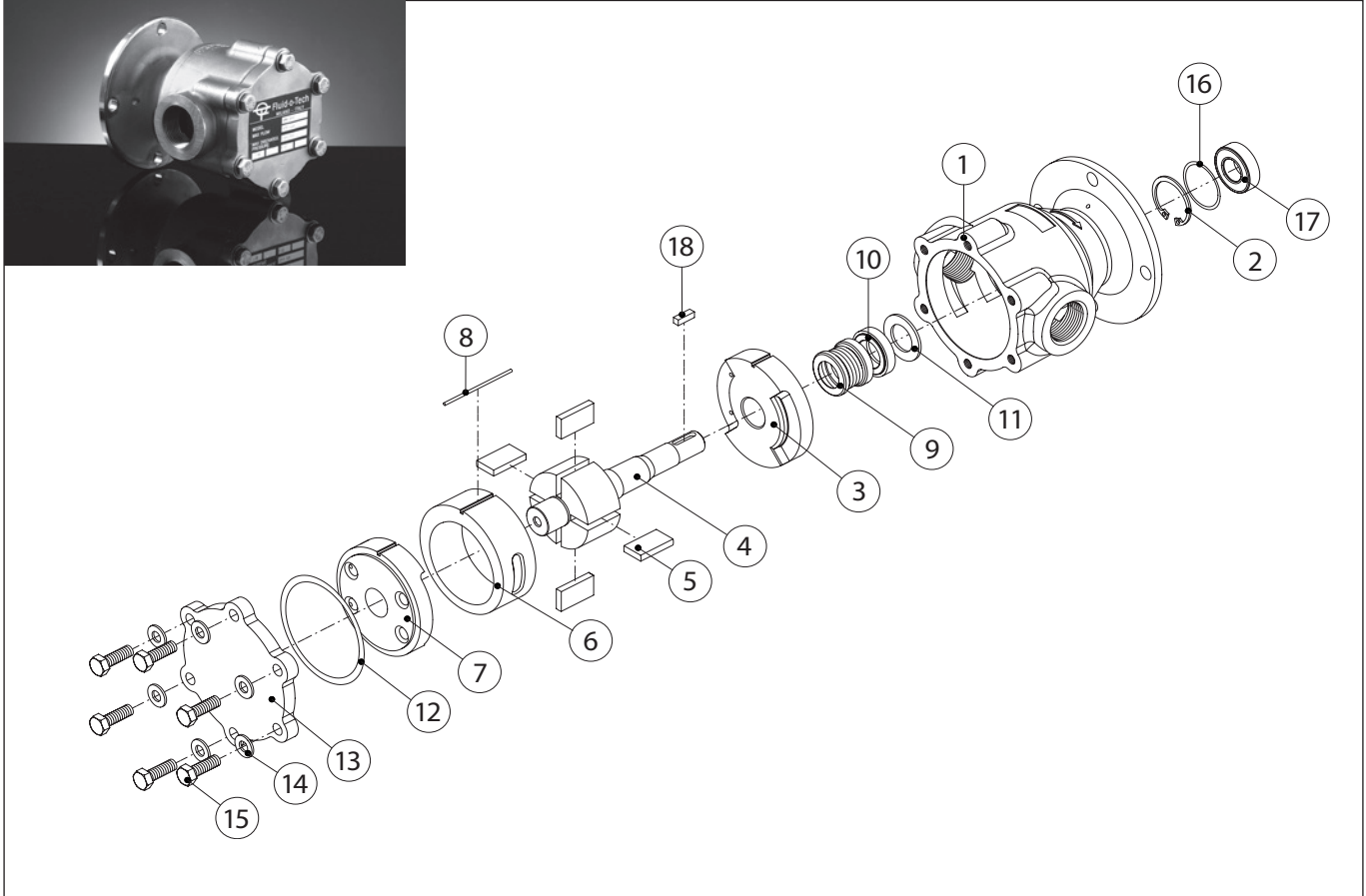


Stainless steel rotary vane pumps

PO 4000 series



POS	DESCRIPTION	MATERIAL	CODE	NOTES
1	HOUSING	S.S.	21-01-01	GAS PORTS
			21-01-02	NPT PORTS
2	SEEGER	STEEL	211000	
3	REAR FLANGE	GRAPHITE	21-03-10	
4	ROTOR	S.S.	21-02-01	
5	VANE	GRAPHITE	21-04-05	
			21-05-10	1000 l/h
			21-05-11	1200 l/h
			21-05-12	1400 l/h
			21-05-13	1600 l/h
			21-05-14	1800 l/h
6	LINER	GRAPHITE	21-05-15	2000 l/h
			21-05-16	2200 l/h
			21-03-11	
			21-03-11	
7	FRONT FLANGE	GRAPHITE	21-03-11	
8	ALIGNMENT PIN	S.S.	210701	
9	SEAL	SILICON CARBIDE/EPDM	90-38-15	
		SILICON CARBIDE/NBR	90-38-14	
		SILICON CARBIDE/ITON®	90-38-16	

POS	DESCRIPTION	MATERIAL	CODE	NOTES
10	SEAL COUNTERFACE	ALUMINIA/EPDM	90-39-11	
		ALUMINIA/VITON®	90-39-12	
		ALUMINIA/NBR	90-39-10	
11	WASHER	S.S.	210900	
12	CAP O-RING	NBR	90-23-41	
		VITON®	90-23-47	
		EPDM	90- 23-42	
13	CAP	S.S.	21-08-01	
14	WASHER	S.S.	90-21-09	
15	SCREW	S.S.	211401	
16	BALL BEARING O-RING	NBR	90-23-68	
17	BALL BEARING	STEEL	211100	
18	SHAFT KEY	S.S.	211500	

Fluid-o-Tech reserves the right to alter the specifications indicated in this catalogue at any time and without prior notice.

Fluid-o-Tech srl
Via Leonardo da Vinci, 40
20094 Corsico, Milano, Italy
Tel. +39 02 9995 01
Fax +39 02 9995 0999
info@fluidotech.it

Fluid-o-Tech Int'l Inc.
161 Atwater St.,
06479 Plantsville CT (USA)
Tel. +1 (860) 276 9270
Fax +1 (860) 620 0193
info@fluid-o-tech.com

Fluid-o-Tech Int'l Inc. Japan
201, 4-3-10, Todoroki,
Setagaya, Tokyo 158-082, Japan
Tel. +81 (0) (3) 6432 1812
Fax +81 (0) (3) 6432 1813
erkkato@fluidotech.jp

Fluid-o-Tech Asia (Shanghai) Co., Ltd.
2/F, Factory building 6 (1), No. 258, Zhijiang Road,
Fengxian District, Shanghai City, Z.P.: 201499 China
Tel. +86 (021) 67100 838
Fax +86 (021) 67100 605
info@fluidotech-asia.com