

Magnet drive gear pump-motor units FG100 series

The Fluid-o-Tech® FG100 series, born from the long experience in mag drive external gear pumps, provides a smart and compact unit which finds easily its location in most machines. The pump housing is in stainless steel and the non-metallic parts have been selected to comply with the most strict sanitary requirements. The electromagnetic drive delivers a smooth transmission of the rotation, little or no noise and a leak free unit, while the integrated electronic allows for the 24V brushless DC heart of the FG100 to be controlled directly from the logic of the machine. Complete flexibility, dispense after dispense. The FG100 series combines the external gear pump technology taken to its perfection and a brushless DC motor in a rotor less configuration. This ensures a top performance with an exceptionally long service life.



MAIN APPLICATIONS

- Espresso coffee machines
- Food processing equipment
- Laser apparatus
- Lubrication
- Medical equipment
- Cooling systems
- Laboratory instrumentation
- Water treatment
- Sanitization



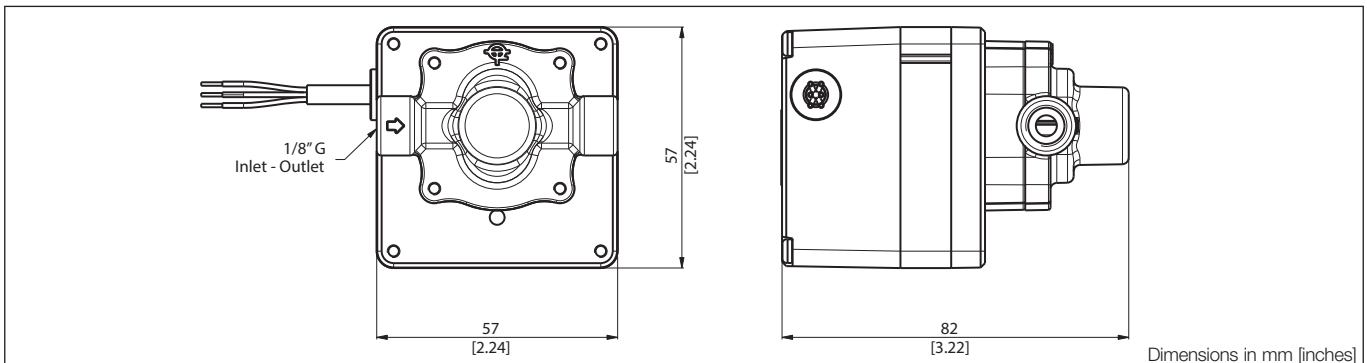
TECHNICAL INFORMATION

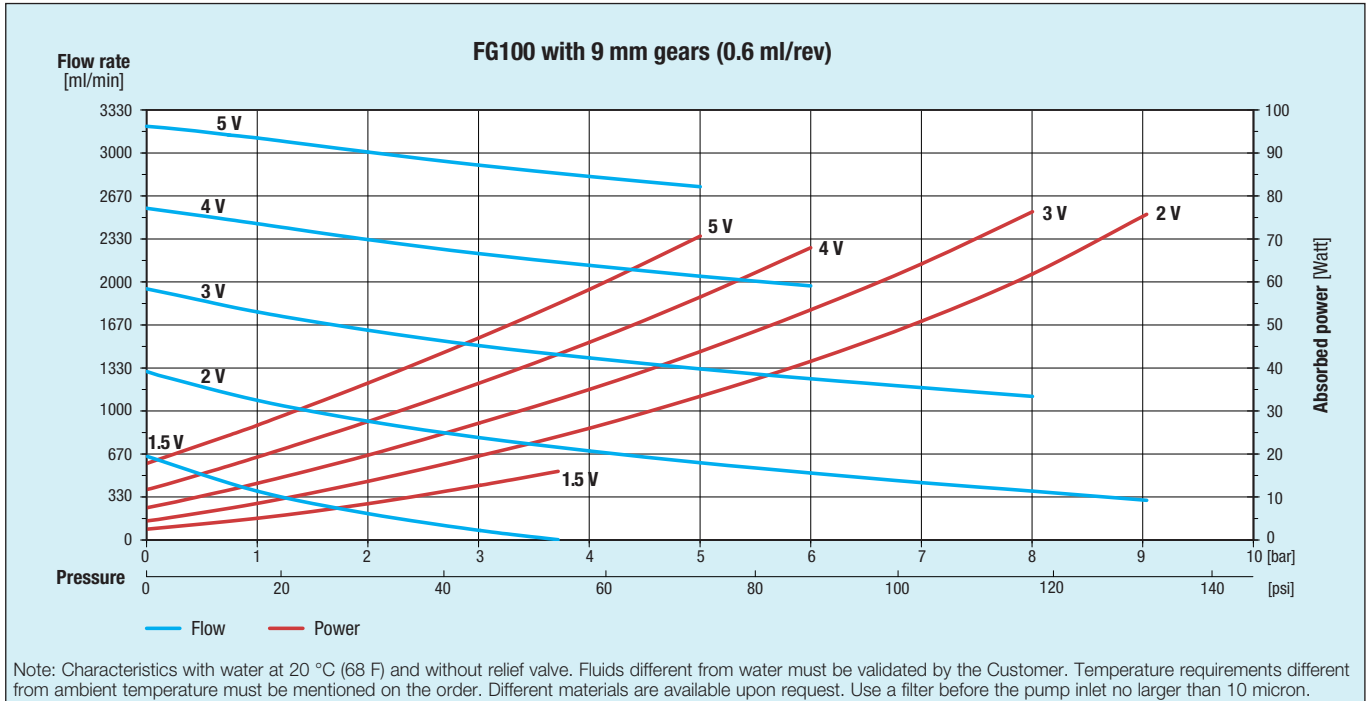
| | | | |
|----------------------------|--------------------|---------------------|-----------------------------|
| Pump housing material | AISI 316L | Motor type | 24V BLDC cw e ccw direction |
| Gears and bushing material | Peek | Speed range | from 500 to 5000 rpm |
| Ports | 1/8" GAS | Max output power | 60 W |
| Max static pressure | 20 bar/290 psi | Motor IP protection | IP 52 |
| Max vacuum | 724 mmHg/28.5 inHg | Insulation class | F |
| Wet lift with water* | ~ 8 m/26.2 ft | Unit weight | 675 g/1.5 lb |

* Priming ability varies with operating conditions and fluid characteristics

OPERATING RANGE

| | | | |
|-------------------------|------------------------------|------------------------------|--------------------------------|
| Max ambient temperature | 40 °C/104 F | 70 °C/150 F | 40 °C/104 F |
| Fluid temperature | 95 °C/203 F | 55 °C/131 F | 40 °C/104 F |
| Max torque | 30 mNm/4.2 in-oz at 5000 rpm | 70 mNm/9.9 in-oz at 3500 rpm | 100 mNm/14.1 in-oz at 3500 rpm |
| Min ambient temperature | | 5 °C/41 F | |





Fluid-o-Tech reserves the right to alter the specifications indicated in this catalogue at any time and without prior notice.

Fluid-o-Tech srl
Via Leonardo da Vinci, 40
20094 Corsico, Milano, Italy
Tel. +39 02 9995 01
Fax +39 02 9995 0999
info@fluidotech.it

Fluid-o-Tech Int'l Inc.
161 Atwater St.,
06479 Plantsville CT (USA)
Tel. +1 (860) 276 9270
Fax +1 (860) 620 0193
info@fluid-o-tech.com

Fluid-o-Tech Int'l Inc. Japan
2nd Floor, 4-3-8, Espoir Todoroki,
Todoroki, Setagaya, Tokyo 158-0082
Tel. +81 (0) (3) 6432 1812
Fax +81 (0) (3) 6432 1813
erkkato@fluidotech.jp

Fluid-o-Tech Asia (Shanghai) Co., Ltd.
2/F, Factory building 6 (1), No. 258, Zhijiang Road,
Fengxian District, Shanghai City, Z.P.: 201499 China
Tel. +86 (021) 67100 838
Fax +86 (021) 67100 605
info@fluidotech-asia.com