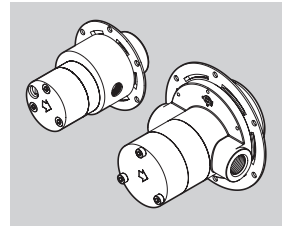




INSTRUCTION MANUAL

MAGNET DRIVE GEAR PUMPS MG, MK, MS AND PG SERIES



INSTALLATION

The pump should be installed exclusively by authorized staff. Handle with care.

WARNINGS



- The flange must be handled with care and should not be grasped with tongs or vices, since this could cause misalignment of the magnets and damage of the pump.
- For food applications the pumps (even when NSF listed) need to be sanitized by circulating water at 80°C/ 176°F for at least 20 minutes.
- The magnetic coupling does not guarantee a defined value of the discharge pressure. Should it be necessary to protect the hydraulic circuit from any possible fluid hammers generated by the pump, it is vital using a pump, equipped with a bypass or a safety valve to be installed after the pump itself.
- Dedicated configurations are available if the operating outlet pressure is in between 10bar/145psi and 15bar/ 217psi. In case of higher outlet pressure, 15bar/217psi to 20bar/290psi, please consult the factory.
- The hydraulic circuit should be carefully flushed before starting the pump.
- The water used for this operation must not be reused, either during the sterilization or later, but must be discharged.
- In order to avoid any accidental ingress of solid matter which might damage the internal components of the pump, it is

recommended removing the two protection caps placed on the inlet and outlet ports of the pump only immediately before mounting the fittings and the pipework.

- If continuous operation is required, the pump should be mounted in a well ventilated environment in order to dissipate the heat produced by the motor.
- To avoid vibrations of mechanical parts and noise, it is advisable to mount the motor with rubber shock-absorbing supports.
- Particular care must be taken when connecting the pump with fittings in order to avoid leaks. If Teflon tape is used it is important not to use too much of it (no more than 2 or 3 turns) to avoid pieces of PTFE accidentally falling into the pump.
- Before tightening the fittings, hold the part of the pump body close to the threaded holes. The leverage effects and mis-manipulation, like the fittings fixation with the pump already installed onto the motor, can cause components deformation, leakages, malfunctioning.
- Do not use sealing fluid, as drops may fall into the pipes and cause the pump block.
- It is advisable to use stainless steel or plastic fittings.
- When substituting just the pump-head, it is necessary to ensure that the model number of the new pump is identical to the pump to be changed. Exchanging the pump for a model of different capacity may damage the system, the motor and the pump itself.
- For pumps equipped with relief valve the thread on the fittings must not exceed 5 mm. Failure to observe such warning will result on damage to the relief valve spring.

WIRING THE MOTOR TO THE POWER SUPPLY

- The power supply must be consistent with the electrical data stamped on the motor plate, with particular regard to voltage, frequency and current.
- The power must be switched off during installation.

MOTOR SELECTION

When the motor is not supplied with the pump it is necessary to verify that the motor dimensions and specifications are in line with Fluid-o-Tech

recommendations. Fluid-o-Tech gear pumps need a motor running at a speed between 800 and 5000 rpm. The flow rate is proportional to the motor speed. The continuous max torque must be lower than 0.1 Nm with ferrite-ferrite magnet coupling. Higher torque can be attained with other types of magnets.

ASSEMBLING THE MAGNET ONTO THE MOTOR SHAFT

Motors with flat shaft ("D" TYPE)

- 1 Tighten the set screw in its seat in the magnet holder until it protrudes from the bore of the brass

insert in order to verify that there are no imperfections in the thread which might stop the set screw before it is able to block the magnet on the rotor shaft.

- Loosen the set screw until it no longer protrudes into the bore where the shaft will be inserted.
- Place the magnet on the tool AT152 with the bore where the set screw sits in correspondence with the flat surface of the "D" pin (fig. 1).
- Tighten the set screw until it touches the pin, but do not tighten so much as to make the extraction of the magnet difficult. The pin should not be scratched by the set screw when extracting the shaft.
- Remove the magnet and place it on the motor shaft. In this way the set screw, protruding slightly from the internal diameter of the bore in the brass bushing, prevents incorrect orientation of the magnet during assembly onto the motor shaft.
- Place the unit vertically on tool AT 152/1 with the magnet facing downwards in order to set the magnet

in the correct position (see fig. 2).

Tighten the set screw with a max. torque of 1.5 Nm.

Motors with shaft key seat and MGAS/MGAF series driving magnets

- Tighten the set screw in its seat in the magnet holder until it protrudes from the bore of the brass insert in order to verify that there are no imperfections in the thread which might stop the set screw before it is able to block the magnet on the rotor shaft.
- Loosen the set screw until it no longer protrudes into the bore where the shaft will be inserted.
- Ensure the shaft key is removed from its seat on the motor shaft.
- Place the unit vertically on tool AT 152/1 with the magnet facing downwards in order to set the magnet in the correct position (see fig. 3). Tighten the set screw with a max. torque of 1.5 Nm.

NOTE: For dimensions of tool AT 152/1 refer to table 1.

Fig. 1

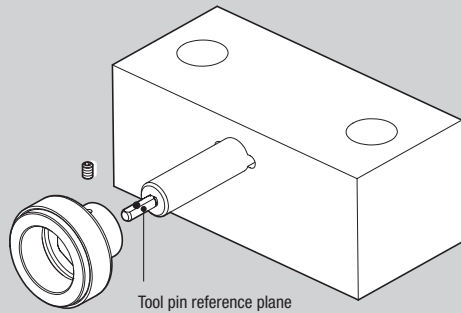


Fig. 2 - MGAF series driving magnets with "D" shaft

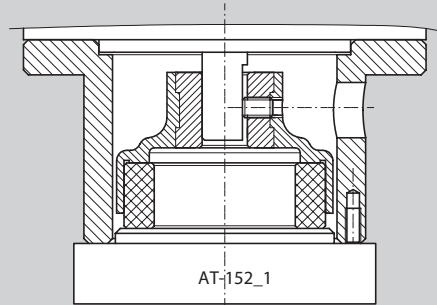
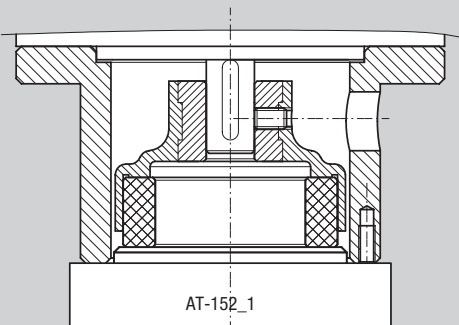
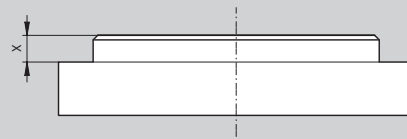


Fig. 3 - MGAF series driving magnets with shaft key seat



Tab. 1: Tool AT-152_..



Tool AT-152_.. options (depending on pump series and magnet type)

Pump series	MG/MS		MK	
	MGAF	MGAS	MKAF	MKAS
"X" dimension (in mm)	3	3	3	6
Tool type	AT-152_1		AT-152_2	AT-152_8

OPERATING CONDITIONS

Ensure that the pump materials are compatible with the pumped fluid. Fluid-o-Tech pumps are designed to handle clean water at ambient temperature.

Any other fluid and/or operating condition need to be tested and approved by the customer and verified by Fluid-o-Tech. The maximum liquid temperature is 120 °C (248 °F). It is strongly recommended, especially for the inlet, using a pipe with an inner diameter sufficient to handle the pump's capacity. This will avoid cavitation and consequent failure of the pump. The discharge pressure must not exceed 20bar/290psi in any event.

The piping on the discharge side should therefore be able to handle a pressure of 20 bar (290 psi).*

It is also recommended installing a filter before the pump capable of keeping out particles larger than 10 µm which could cause fast wear of the internal components, and with a surface area large enough not to cause hydraulic losses in the circuit. It is also important to check periodically the filter cartridge. In order to keep the filter under control, it is advisable to install a vacuum gauge after the filter. In case the vacuum increases more than 0.1 bar, the cartridge should be cleaned or changed.

For long pump life, the pumped fluid must not contain solid particles. Although the magnet drive gear pumps are self-priming, they should operate under wetted conditions, as dry running will cause accelerated wear of the internal components. A dirty filter or an insufficient supply of water can cause cavitation and accelerated wear of the internal components of the pump.

If the suction line is subject to low pressure or flow it is recommended fitting a pressure/level switch before the pump in order to switch the motor off when that happens. It is also recommended to protect the system from accidental overpressure with safety devices such as a pressure relief valve or a pressure switch connected to the motor. It is not advisable to install solenoid valves in the circuit; however, if necessary, the solenoid valve should only be installed after the pump. Solenoid valves installed before the pump should be avoided at all times. The internal diameter should be appropriately sized for the pump capacity. In order to avoid pressure spikes the solenoid valve should only be operated after the pump has stopped, allowing a few seconds to go by after the motor has been switched off. If the pump is equipped with a relief valve (bypass), the valve will act, in case of accidental overpressure, to limit the pressure, by means or recirculating the fluid internally.

The relief valve is **not** a flow regulator, and should not be used as such. If used as a flow regulator, the excess fluid will recirculate within the pump, through the relief valve, and the pump may fail.

The maximum differential pressure should be at least 1 bar (14.5 psi) lower than the relief valve setting in order to avoid fluid recirculation and therefore loss of capacity and ultimately failure.

Due to magnetic coupling, the pump does not require a mechanical seal to prevent leakage. This eliminates the usual problems associated with the use of a mechanical seal. The maximum pressure varies with pump model and speed. As the differential pressure decreases the flow rate will increase.

Beyond the values specified in the charts on page 4 of this leaflet where the performances outside the grey area are attained with the rare earths magnet, the torque that can be transmitted is limited by the magnet strength, and the coupling between the motor and the pump is not guaranteed, therefore the pump might stop. The coupling can be re-established simply by switching off the motor, waiting until it is completely stopped, and then restarting the motor again.

WARRANTY

Every new pump manufactured by Fluid-o-Tech is guaranteed to be free of defects in workmanship and material when leaving the factory for a period of 18 months from the production date printed on pump label, plus a period of 6 months to cover the warehouse and transit time, or for a period of maximum 24 months from the purchasing date to the first product use. In no event shall this period exceed 24 months from date of original invoice.

Fluid-o-Tech will repair or replace at our discretion part or all of the product not conforming to this warranty. Fluid-o-Tech's responsibility under this warranty is limited to the repair or replacement of defective product returned to us on an DDP basis, providing that our analysis discloses that such part or parts were defective at the time of sale.

The warranty is not recognized if:

- The instructions on how to handle, install or operate the pump are disregarded.
- The pump has been disassembled or modified by anyone other than a Fluid-o-Tech (or authorized by Fluid-o-Tech) engineer or repaired with non original components.
- The pump has been operated dry, under cavitation.
- Solid extraneous particles are found in the pump.
- Obvious signs of excess pressure are evident.
- The pump has been utilized for an application for which it was not intended to be used where the operating conditions and/or the pumped liquid were incompatible with the pump itself and this application has not been specifically approved by Fluid-o-Tech.
- In case of pumps equipped with a relief valve, when

the operating pressure has been less than 1 bar below the relief valve setting.

- Normal wear and tear is not covered by the present warranty

The adjustment or replacement of defective parts made under this warranty will not extend the original warranty period. The Purchaser/User is responsible for the disposal or recycling of the product at end of its use or lifetime. For more information on proper disposal method, please contact Fluid-o-Tech Customer Care.

CERTIFICATIONS

NSF listed pumps available for drinkable liquids. For the model details, please refer to the official NSF website (direct link available on www.fluidotech.it)

The pump itself, without the motor, is not to be considered as a machine, but only a component, therefore the mark "CE" is not applicable.

When the pump is assembled with a motor, the complete pump-motor unit is instead considered as a machine and supplied with the mark "CE". Please refer to Fluid-o-Tech declaration of conformity, which may be requested to state the essential compliances with the Directives.

STANDARD MAINTENANCE

Maintenance and replacement of parts subject to wear on Fluid-o-Tech magnet drive gear pumps should only be done by a technician certified by Fluid-o-Tech. Periodic cleaning of the hydraulic circuit and filters is advisable in order to avoid cavitation and premature wear of the internal components.

ATEX CERTIFICATIONS FOR MG, MK AND MS PUMP SERIES

GENERAL

This manual contains important and useful information on protection against the risks in potentially explosive atmospheres in accordance with EC directive 2014/34/EU. All relevant instructions about installation, operation and maintenance of the pump are available in the separate pump's instruction manual.

For protection against the risks in potentially explosive atmospheres it is imperative that the pump must be protected from all unauthorized operation and unnecessary wear. Explosive gas mixtures or concentrations of dust, in conjunction with hot and moving parts on pump and on the driving unit, can lead to severe or fatal personal injuries. Installation, connection, start-up and maintenance must only be performed by qualified technicians taking into account the instructions reported in this manual together with all

other instructions for the installed equipment and system. Specific regulations and requirements for the complete system must be considered (current valid national and regional regulations).

Since the maximum surface temperature depends mainly on the operating conditions given by the heated fluid in the pump, a single temperature class or maximum surface temperature cannot be determined by the manufacturer.

The temperature class with the maximum allowed fluid temperature (fluids up to 120°C) is T3 (< 200°C), the temperature class can be lowered to T4 (< 135°C) but in this case the fluid temperature must not exceed 70°C.

Maximum fluid temperature	Temperature class
120°C	T3 (< 200°C)
70°C	T4 (< 135°C)

Ambient temperature range: -20/+40°C.



In order to use the pump in ATEX Zone 1, it is needed to implement an ignition protection system "b" monitoring the temperature class required T3 (< 200°C) or T4 (< 135°C) depending on the maximum fluid temperature selected (120°C or 70°C, respectively).

Specified temperature limits might be exceeded in case the pump is operated outside the specified operating range (temperature and pressure) and in unauthorized modes. In addition to the temperature monitoring device, a pressure monitoring device is mandatory if the limits cannot be observed under all possible operating conditions. A minimum sufficient flow through the pump must be assured in order to remove the heat generated by the pump operation.

Verify that heated air from other units close to the pump does not affect the ambient temperature around the pump (maximum ambient temperature is 40°C).

Pump must not run in dry conditions, internals must be filled completely with, and lubricated by the liquid that will be used during operation (including start-up, priming and shut-off). Equip the fluid tank with a sensor level and be sure that hydraulic connections are made at state of the art.

Pump must always run with fluids in liquid phase.

The intended use of the equipment is:

- in an atmospheric pressure environment;
- in a fixed installation (it is not considered as handheld equipment or equipment carried on the person).

Do not use abrasive fluids with the pump.

Only equipment with certification of conformity for the intended ATEX zone must be used.

All the components must be metallic and conductive (adapter included). Proper earthing on the whole equipment is required.

Pump operation involves the risk of producing an electrostatic charge in flowing liquids. The user should take measures according to IEC TS 60079-32-1. Only liquids with a high conductivity (> 1000 pS/m) can be used.

In order to prevent temperature increase, avoid working with:

- closed outlet port;
- direct return of liquid from outlet to inlet side of the pump.

INSTALLATION AND MAINTENANCE

Please refer to the instruction manual and follow the instructions available for the installation (paragraph "Assembling the magnet onto the motor shaft") using the tool AT-152....

During the operation of assembling the magnet onto the motor shaft, verify that noises and/or vibrations are not present when the motor shaft rotates.

A dedicated tool is available: AT- 628..., please refer to the table below for the various configuration.

Remove the AT-628.... tool and assembly the pump, verify again that noises and/or vibrations are not present when the motor shaft rotates. Perform a periodical check of the alignment of the pump and the external magnet.

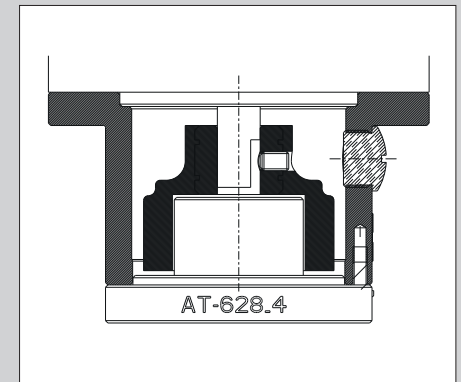
Tool AT-628 ... options (depending on pump series and magnet type)

Pump series	MG/MS		MK	
Magnet type	MGAF	MGAS	MKAF	MKAS
Tool type	AT-628_4		AT-628_9	

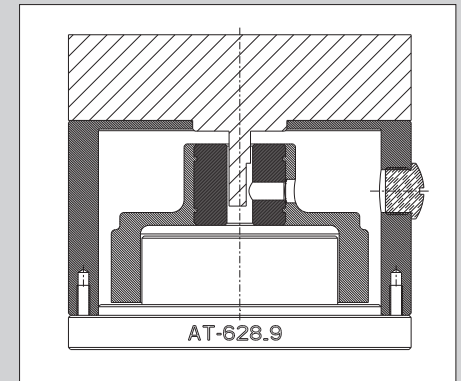
Perform a periodical check of the pump performance (every 1000 h of operation), if the decrease in performances is higher than 20% it is needed to replace the pump. Proper earthing of the whole equipment (motor + adapter + pump) is required. Earthing terminals should be provided on the motor, if not possible, apply earthing connection on another component of the group. Verify periodically the proper earthing of the whole group. The adapter covers rotating parts such as external magnet and motor shaft, all the open holes in the adapter must be plugged.

Verify the chemical and thermal compatibility of the fluid with the pump materials. Periodically check that no leakages are present.

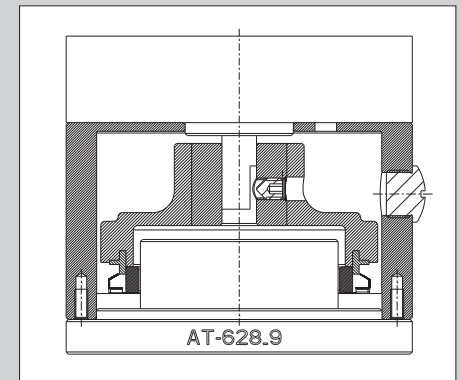
Periodically clean the equipment, also the internal part of the adapter/coupling, the pump should then be accessible for maintenance and inspection.



MGAF / MGAS



MKAF



MKAS

Generally, avoid significant dust or other materials deposits. The equipment to be installed must be undamaged and must have been properly stored before installation, in case of doubt, please consult Fluid-o-Tech.

In case of overpressure in the system, equip the system with an adequate safety valve (dimensions, performance, standards, ...) with the certification of conformity for the intended ATEX zone.

The bypass valve integrated in certain pump configurations is NOT to be intended as a safety valve, but as a simple relief valve for accidental overpressure. In case the pressure or the temperature (ambient and/or fluid) exceeded the limit, please consult Fluid-o-Tech to repair the pump with the replacement of damaged components and general functioning check.

Inlet and outlet lines should be designed properly for the required performance conditions and should be executed accordingly, please refer to the instruction manual. Issues like cavitation, vapor lock and similar working conditions must be avoided since they could cause severe problems and lead to excessive vibrations and premature pump failure. Lines must be internally cleaned and free of any foreign particles.

For protection against potentially explosive atmospheres, it is important that the area around the pump and the

pump itself are clean. During installation and maintenance use non-sparking tools when working on the pump unit in a potentially explosive atmosphere.

IGNITION HAZARD ASSESSMENT IMPLEMENTED BY THE USER

Risks evaluation on the system should be implemented by the user, according to specific usage and working conditions, considering:

- analysis of the ignition hazards and their causes;
- frequency and duration of the ignition hazards;
- characteristics of the system, processes and their interactions;
- entity of consequences.

Through ignition hazard assessment, the user defines the areas and divides them into zones, with the proper signals on the access points.

DISCLAIMER

Considerable effort has been made to avoid inaccuracies and omissions in this manual, if you should find an error or omission, please contact Fluid-o-Tech. Fluid-o-Tech reserves the right to update the design and the specifications of the products at any time and without prior notice.

Fluid-o-Tech reserves the right to alter the specifications indicated in this catalogue at any time and without prior notice.

Fluid-o-Tech srl

Via Leonardo da Vinci, 40
20094 Corsico, Milano, Italy
Tel. +39 02 9995 01
Fax +39 02 9995 0999
info@fluidotech.it

Fluid-o-Tech Int'l Inc.

161 Atwater St.,
Plantsville CT (USA) 06479
Tel. +1 (860) 276 9270
Fax +1 (860) 620 0193
info@fluid-o-tech.com

Fluid-o-Tech Int'l Inc. Japan

2nd Floor, 4-3-8, Espoir Todoroki,
Todoroki, Setagaya, Tokyo 158-0082
Tel. +81 (0) (3) 6432 1812
Fax +81 (0) (3) 6432 1813
erkkato@fluidotech.jp

Fluid-o-Tech Asia (Shanghai) Co., Ltd.

2/F, Factory building 6 (1), No. 258, Zhijiang Road,
Fengxian District, Shanghai City, Z.P.: 201499 China
Tel. +86 (021) 67100 838
Fax +86 (021) 67100 605
info@fluidotech-asia.com