

# MKCS08S/MKCS11S series drives for MK series gear pumps

The MK series pumps are designed to complete the existing MG series with improved performances in terms of flow rate, pressure, capability to handle high viscosity fluids and a wider offer of materials to suit most applications, from the food to the industrial and chemical markets. The housing of the pump and the internal metal parts are available in AISI 303, AISI 316L or SAF 2205. The rare earths driving magnet is capable to drive the pump at high pressure.

The quality of the materials of the assembled components allows handling of fluids with temperatures up to 120 °C (248 F).

The coupling with the MKCS08S-MKCS11S units designed for heavy duty, provides a reliable and noiseless operation in a compact size package. The pole-to-pole alignment of the two magnets provides the driving motion to the pump.

Decoupling will occur when the pumpload exceeds the maximum coupling torque provided by the alignment of the two magnets.

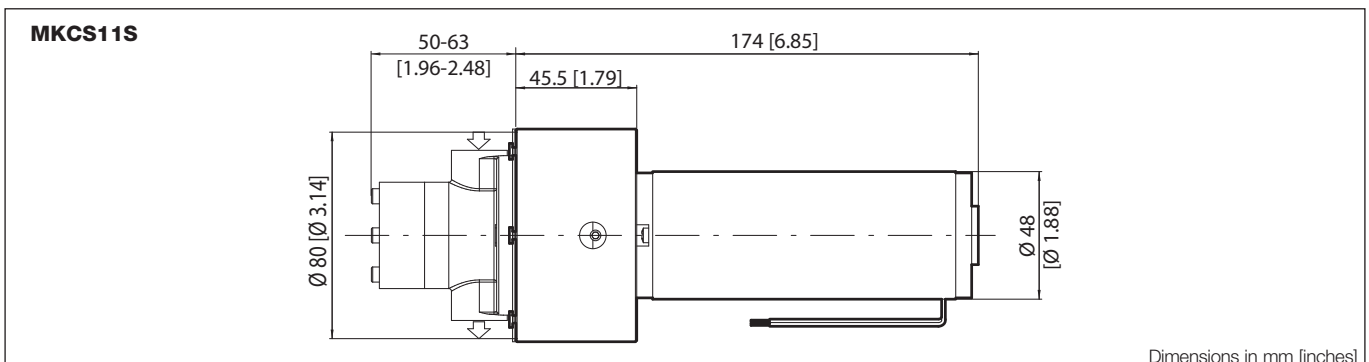
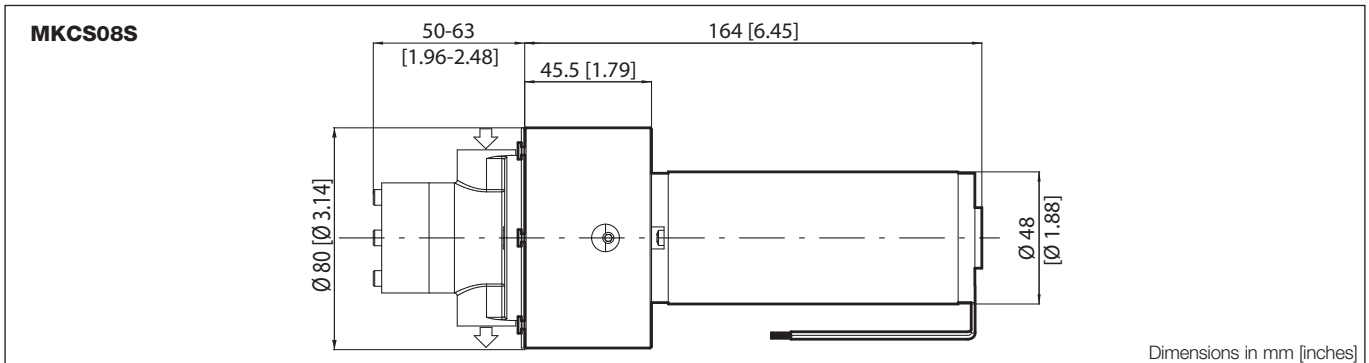
Available upon request:

- Ferrite driving magnet



## MAIN APPLICATIONS

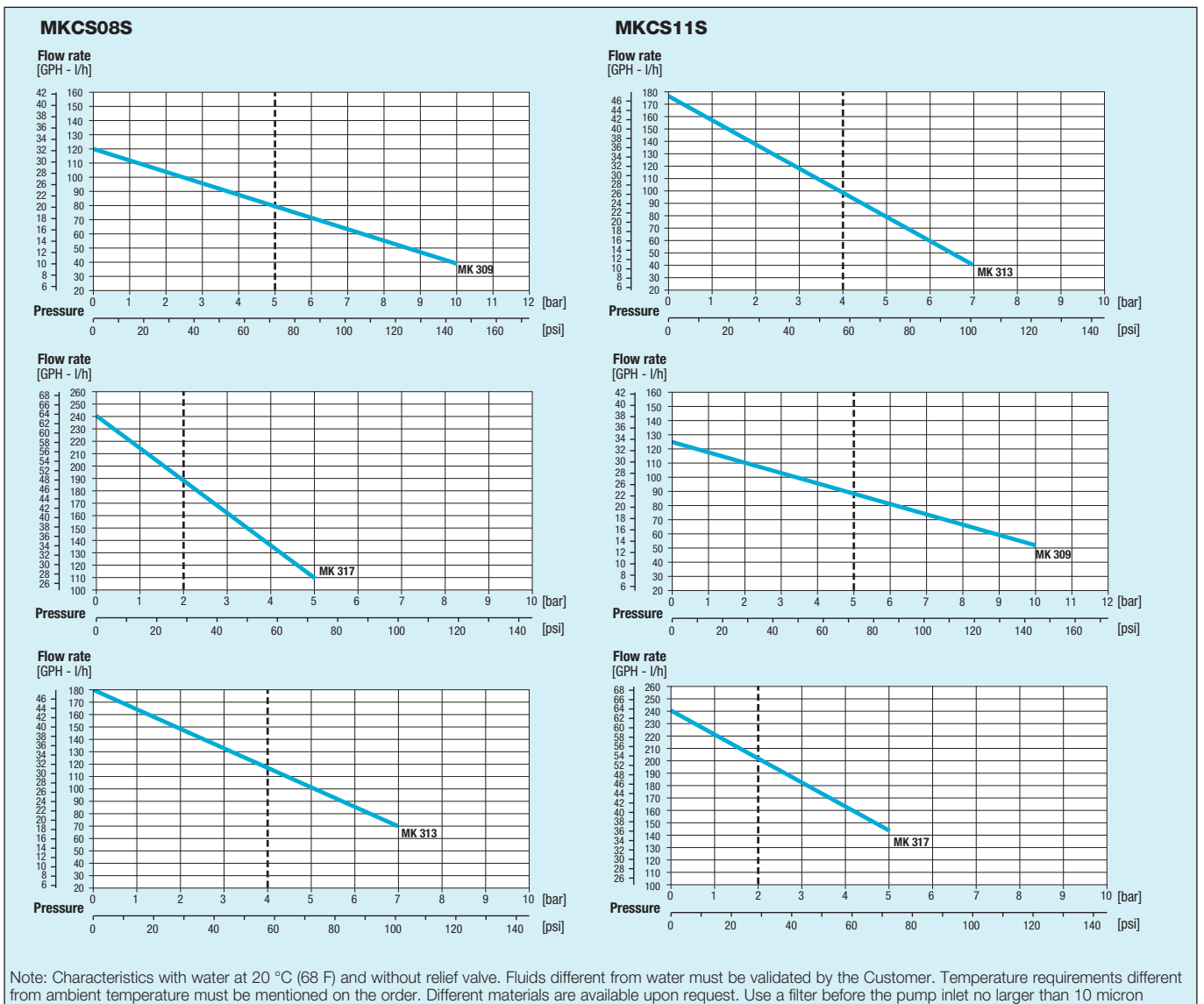
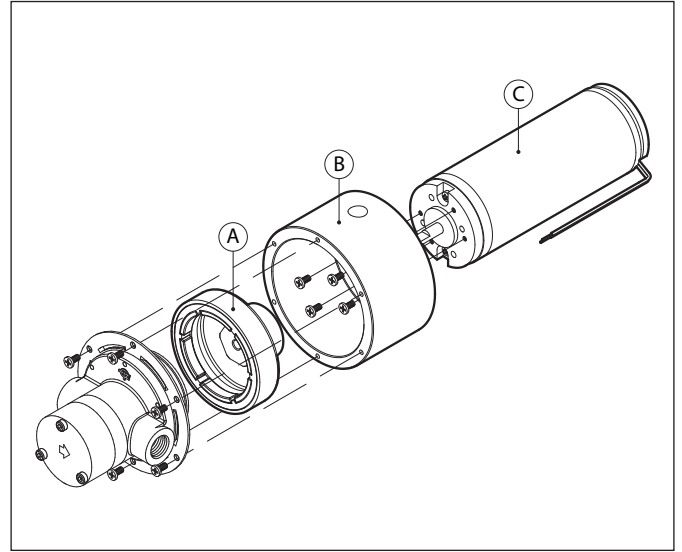
- Medical and surgical equipment
- Hemodialysis apparatus
- Laser apparatus
- Lubrication
- Ink-jet printing systems
- Cooling systems
- Laboratory instrumentation
- Water purification and ultra-filtration
- Sampling
- Food processing equipment
- Sanitization



# MKCS08S/MKCS11S series drives for MK series gear pumps

| POS          | DESCRIPTION             | FEATURES                         | CODE               |
|--------------|-------------------------|----------------------------------|--------------------|
| <b>A</b>     | Driving magnet          | For 5 mm bore                    | MKAS05S            |
| <b>A+B</b>   | Complete adapter        | For KAG M48x50<br>For KAG M48x60 | MKBS48S            |
| <b>A+B+C</b> | Complete motor assembly | See table below                  | MKCS08S<br>MKCS11S |

| DRIVING UNIT            | MKCS08S | MKCS11S |
|-------------------------|---------|---------|
| Voltage (V)             | 12 DC   | 24 DC   |
| Rated speed (rpm)       | 3050    | 3150    |
| Current consumption (A) | 3.4     | 2.6     |
| Output power (W)        | 32      | 49,5    |
| Motor IP protection     | IP40    | IP40    |
| Weight (Kg)             | 1.2     | 1.3     |



Fluid-o-Tech reserves the right to alter the specifications indicated in this catalogue at any time and without prior notice.

**Fluid-o-Tech srl**  
Via Leonardo da Vinci, 40  
20094 Corsico, Milano, Italy  
Tel. +39 02 9995 01  
Fax +39 02 9995 0999  
info@fluidotech.it

**Fluid-o-Tech Int'l Inc.**  
161 Atwater St.,  
06479 Plantsville CT (USA)  
Tel. +1 (860) 276 9270  
Fax +1 (860) 620 0193  
info@fluid-o-tech.com

**Fluid-o-Tech Int'l Inc. Japan**  
2nd Floor, 4-3-8, Espoir Todoroki,  
Todoroki, Setagaya, Tokyo 158-0082  
Tel. +81 (0) (3) 6432 1812  
Fax +81 (0) (3) 6432 1813  
erkkato@fluidotech.jp

**Fluid-o-Tech Asia (Shanghai) Co., Ltd.**  
2/F, Factory building 6 (1), No. 258, Zhijiang Road,  
Fengxian District, Shanghai City, Z.P.: 201499 China  
Tel. +86 (021) 67100 838  
Fax +86 (021) 67100 605  
info@fluidotech-asia.com