

Volumetric pumps IG series

The Fluid-o-Tech® IG series positive displacement pumps have been designed to handle viscous fluids with impurities in suspension and to withstand relatively high temperatures, while delivering a smooth flow.

Precise by design, they allow accurate and repeatable performance, but also providing high pressure.

Food grade materials are available upon request.

The model comes with a flow rate ranging from 100 l/h to 1500 l/h, with 1/2" GAS ports, o-rings in Viton® and clamp mounting, thermal separation through coupling.

The max rpm are 3500.



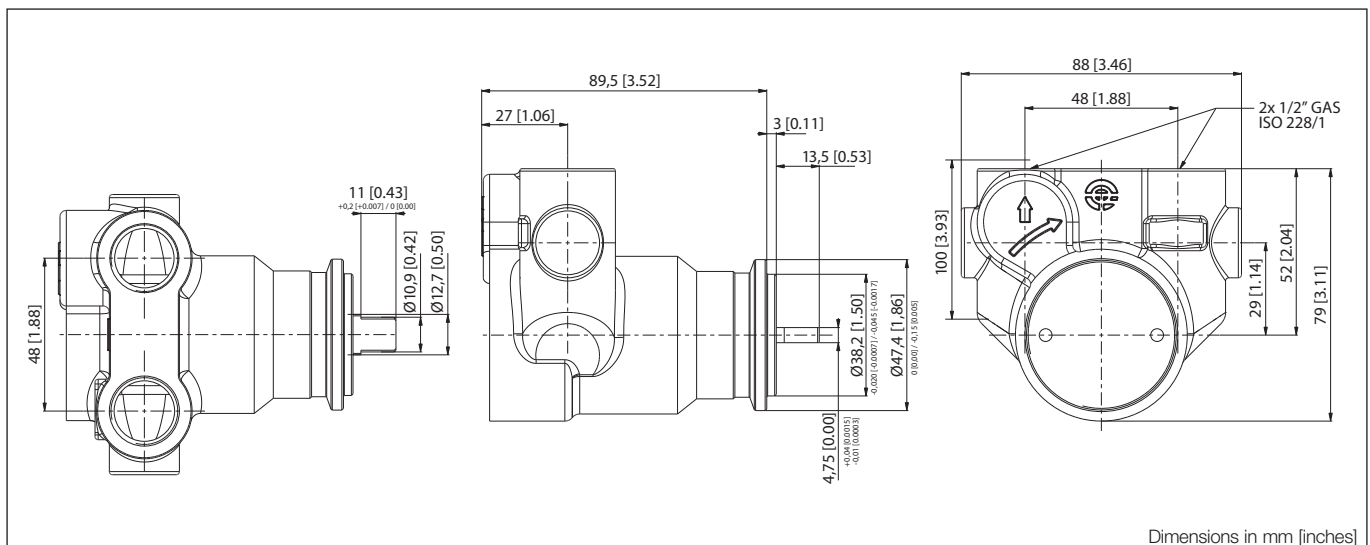
MAIN APPLICATIONS

- Fryer machines

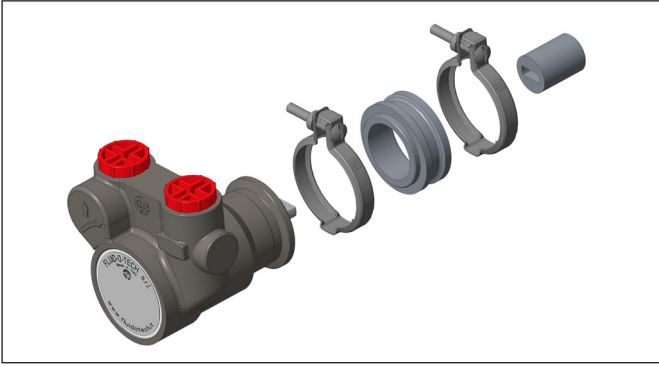
TECHNICAL INFORMATION

| | | | |
|-----------------------|----------------|---------------------------|----------------------|
| Pump housing material | Cast Iron G25 | Min/max fluid temperature | 5/200 °C - 41/392 F |
| Gears material | Distalloy AE | Wet lift* | > 6 m |
| Ports | 1/2" GAS | Speed range | from 250 to 3500 rpm |
| Max static pressure | 20 bar/290 psi | Unit weight | 1.6 Kg |

* Priming ability varies with operating conditions and fluid characteristics

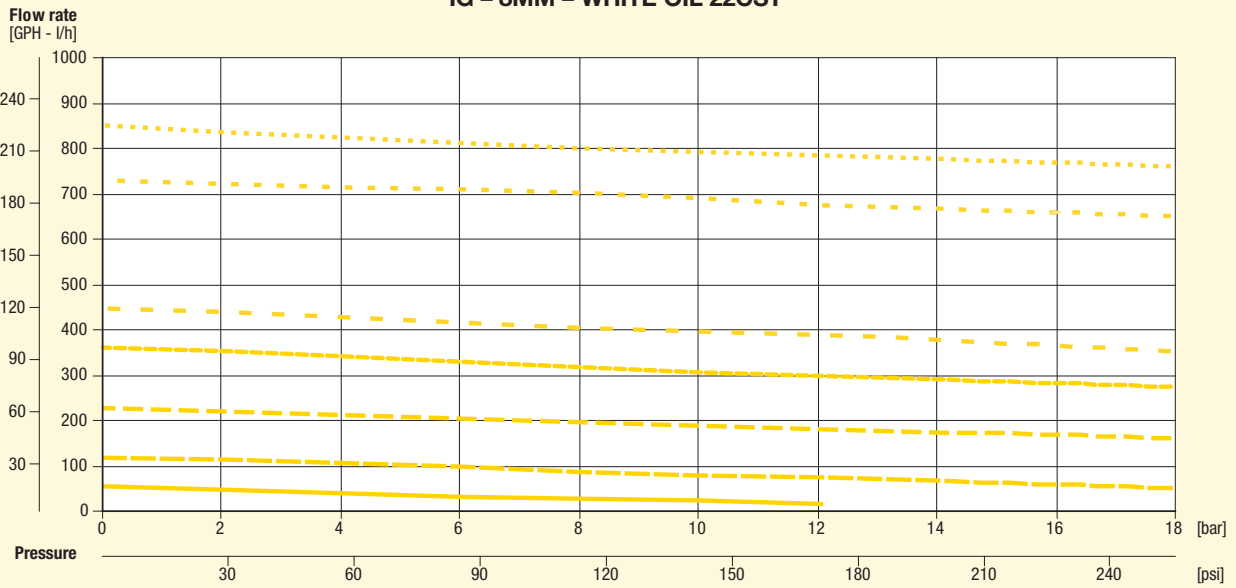


Dimensions in mm [inches]

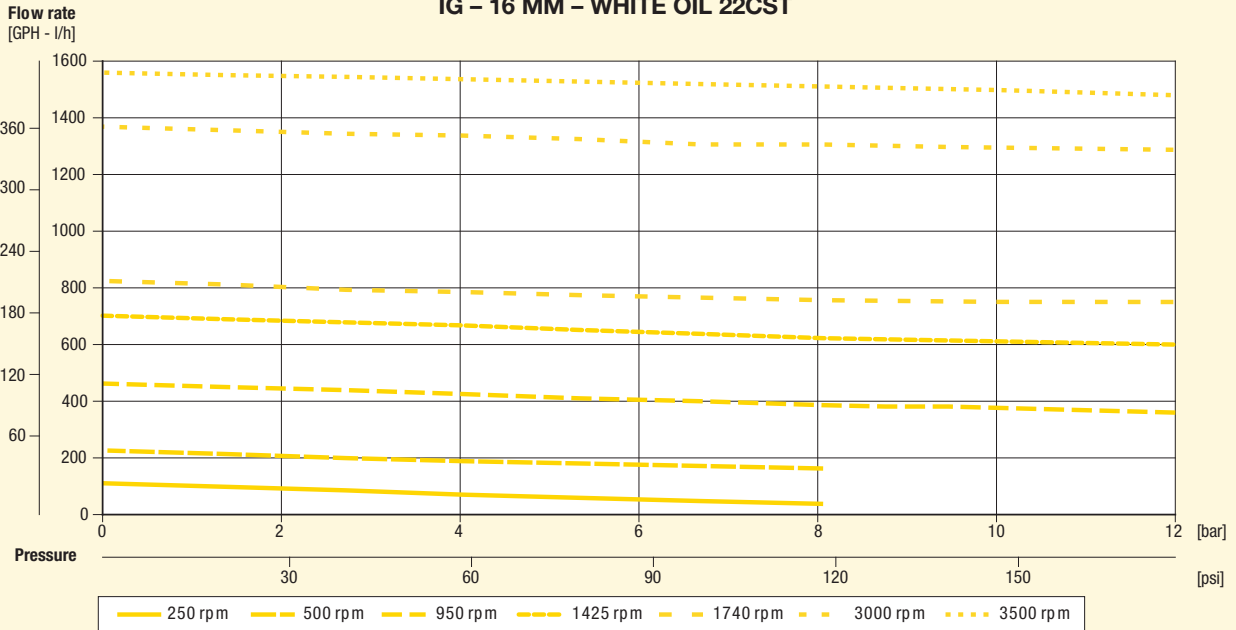


| POS | DESCRIPTION | CODE |
|-----|-------------------------------|----------|
| 1 | IG series pump | |
| 2 | High temperature spacer 48 YZ | 92-01-05 |
| 3 | Clamp | 94-80-01 |
| 4 | Heavy duty cross coupling | 91-03-10 |

IG – 8MM – WHITE OIL 22CST



IG – 16 MM – WHITE OIL 22CST



Note: curves obtained at ambient temperature. For applications involving other fluids, high temperatures or unusual processing conditions, please consult the factory or an authorized Fluid-o-Tech distributor.

Fluid-o-Tech reserves the right to alter the specifications indicated in this catalogue at any time and without prior notice.

Fluid-o-Tech srl
Via Leonardo da Vinci, 40
20094 Corsico, Milano, Italy
Tel. +39 02 9995 01
Fax +39 02 9995 0999
info@fluidotech.it

Fluid-o-Tech Int'l Inc.
161 Atwater St.,
06479 Plantsville CT (USA)
Tel. +1 (860) 276 9270
Fax +1 (860) 620 0193
info@fluid-o-tech.com

Fluid-o-Tech Int'l Inc. Japan
2nd Floor, 4-3-8, Espoir Todoroki,
Todoroki, Setagaya, Tokyo 158-0082
Tel. +81 (0) (3) 6432 1812
Tel. +81 (0) (3) 6432 1813
Fax +81 (0) (3) 6432 1813
erkkato@fluidotech.jp

Fluid-o-Tech Asia (Shanghai) Co., Ltd.
2/F, Factory building 6 (1), No. 258, Zhijiang Road,
Fengxian District, Shanghai City, Z.P.: 201499 China
Tel. +86 (021) 67100 838
Tel. +86 (021) 67100 605
Fax +86 (021) 67100 605
info@fluidotech-asia.com