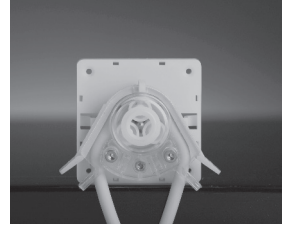




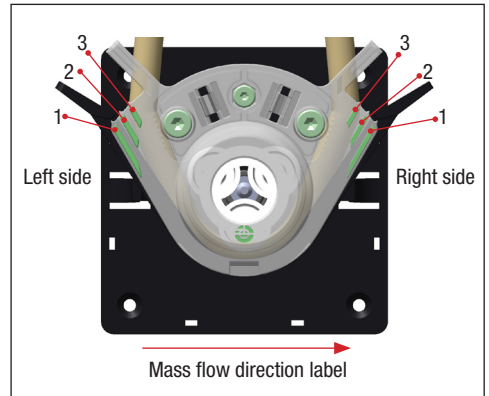
INSTRUCTION MANUAL

PERISTALTIC PUMPS T30 SERIES



TUBING INSTALLATION AND REMOVAL

- **Any contamination of moisture, oils and fats during the operation, assembly or tube replacing phases may strongly degrade the pump performances or compromise its operation.**
- The white tube bed is removable to simplify tubing changes. Using two hands, gently open the two ends of the tube bed to release it from the pump body.
- The tube can then be withdrawn from the retaining jaws on the body. With larger tubes, the tubing should be pinched between two fingers to ease removal without causing unnecessary stress to the pump body.
- To set fresh tubing, insert one side in the location jaw before gently wrapping the tube along the tube bed and drawing the tube through the other jaws.
- Place the tube bed around the tubing and click the ends of the tube bed over the end of the pump body
- Before using the pump, the occlusion setting should be adjusted.
- The table shows the correct settings for different sized tubes.
- It is recommended that when the pump is not used for an extended period (several days or more), the jaws on one side of the pump are fully opened to relieve the compressive load on the tubing and maximise tube life.



| Model pump (l/h) | Flange position (Left side - Right side 1-2-3) |
|------------------|--|
| *2550* | 2 - 2 |
| *4670* | 2 - 2 |

BEFORE STARTING

It is recommended that you read the label on the pump and check the following information:

- The material of the tubing must be compatible with the pumped fluid.
- The supply voltage must be consistent with the motor voltage.

- Pressure at the injection section must be lower or equal to the nominal working pressure of the pump.
- Check that no occlusions are present into the circuit. Closed valves may cause tubing breakage and or pump damage.

WARNINGS

- Any damage to the tube may result in fluid leakage. Operators must use adequate personal protective equipment.
- Tubing, being elastic, may expand very quickly if back-pressure is present leading to leakage at the fittings if not properly retained.
- Only use Fluid-o-Tech original tubing with TP30

pumps to ensure optimum performance. Using non-original tubes may result in a different performance or damage the pump by invalidating the applicable warranties.

- Periodically, check that the pump is working properly and that the tubing is in good conditions, especially if aggressive or hazardous fluids are pumped which may cause damage or risks.
- In case the TP30 pump handles dangerous or aggressive fluids, before disconnecting it from the circuit, make sure the fluid contained in it has been removed or neutralized by using of appropriate reagents.

GENERAL INFORMATION

The Fluid-o-Tech TP30 Series is designed for use in food, medical, laboratory and general industrial applications. Before use, it is the responsibility of the installer to ensure the tube materials are compatible with the pumped media and that the environment is suitable for the installation and operation of the product. Electrical connections should be made by a suitably qualified person. The power supplied to the pump motor should be consistent with the design and rating of the motor supplied. In case of doubt, please refer to the factory quoting the model number and serial number.

This pump is not suitable for direct use on human beings. For food applications the pump needs to be sterilized by an approved method appropriate to the intended use. The pump should be mounted in a well ventilated environment in order to dissipate the heat produced by the motor. To avoid vibrations of mechanical parts and noise, it is advisable to mount the motor with rubber shock-absorbing supports. Particular care must be taken when connecting the tube connectors in order to avoid leaks. When substituting tubing, it is necessary to ensure that the pump housing and drive are compatible with any change in specification. Exchanging the tube for a different capacity or size may damage the system, the motor and the pump itself. The hydraulic circuit should be carefully flushed before starting the pump.

WARRANTY

Every new pump is guaranteed to be free of defects when leaving the factory for a period of 12 months – excluding tube – from the production date printed on

pump label. Fluid-o-Tech will repair or replace at its judgement part or all of the product not conforming to this warranty. Fluid-o-Tech's responsibility under this warranty is limited to the repair or replacement of defective product returned to us on a D.A.P. basis, providing that our analysis discloses that such part or parts were defective at the time of sale.

The warranty is not recognized if:

- The instructions on how to handle, install or operate the pump are disregarded.
- The pump has been disassembled or modified by anyone other than a Fluid-o-Tech (or authorized by Fluid-o-Tech) engineer or repaired with non original components.
- Solid extraneous particles are found in the pump drive mechanism or tube bed.
- Obvious signs of excess pressure are evident.
- The pump has been utilized for an application for which it was not intended to be used where the operating conditions and/or the pumped liquid were incompatible with the pump itself and this application has not been specifically approved by Fluid-o-Tech.
- Normal wear and tear is not covered by the present warranty.

The adjustment or replacement of defective parts made under this warranty will not extend the original warranty period. The Purchaser/User is responsible for the disposal or recycling of the product at end of its use or lifetime. For more information on proper disposal method, please contact Fluid-o-Tech Customer Care.

CERTIFICATIONS

The pump is assembled with a motor, the complete pump-motor unit is considered as a machine and supplied with the mark "CE".

Different grades of tubes are available and they satisfy the requirements of the following Directives: D.M. 174/04 of the Health Ministry, of 6th April 2004, on materials and devices that may be used in fixed catching, treatment, adduction and distribution installations of water destined for human use.

EC Regulation n.1935/2004 of the European Parliament and the Council of 27th October 2004 on materials and articles intended to come into contact with food products and for which there are migration tests with photo A as required by DM n.338 of 22nd July 1998 Encl.1 Chapter 1.

Fluid-o-Tech reserves the right to alter the specifications indicated in this catalogue at any time and without prior notice.

Fluid-o-Tech srl

Via Leonardo da Vinci, 40
20094 Corsico, Milano, Italy
Tel. +39 02 9995 01
Fax +39 02 9995 0999
info@fluidotech.it

Fluid-o-Tech Int'l Inc.

161 Atwater St.,
Plantville CT (USA) 06479
Tel. +1 (860) 276 9270
Fax +1 (860) 620 0193
info@fluid-o-tech.com

Fluid-o-Tech Int'l Inc. Japan

2nd Floor, 4-3-8, Esपोir Todoroki,
Todoroki, Setagaya, Tokyo 158-0082
Tel. +81 (0) (3) 6432 1812
Fax +81 (0) (3) 6432 1813
erkato@fluidotech.jp

Fluid-o-Tech Asia (Shanghai) Co., Ltd.

2/F, Factory building 6 (1), No. 258, Zhijiang Road,
Fengxian District, Shanghai City, Z.P.: 201499 China
Tel. +86 (021) 67100 838
Fax +86 (021) 67100 605
info@fluidotech-asia.com