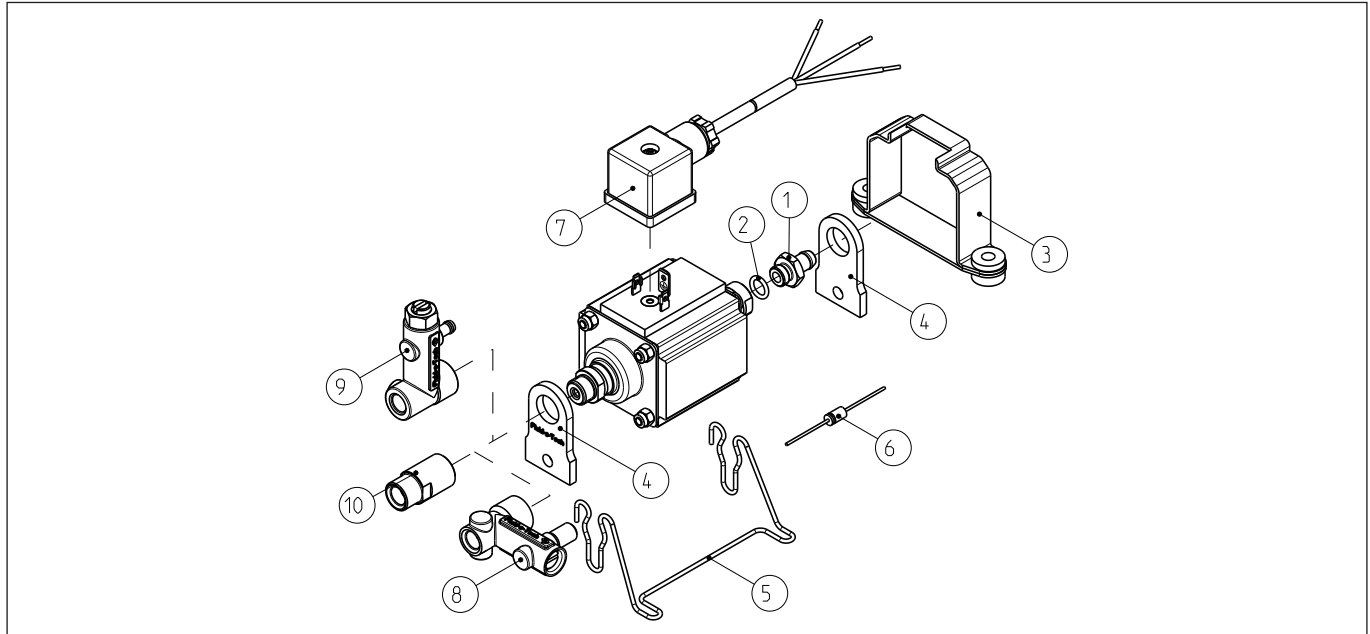


Solenoid pumps accessories and fittings



Find out more



POS	DESCRIPTION	MATERIAL	CODE	NOTES
1	HOSE FITTING	BRASS	23165	
2	HOSE FITTING O-RING	NBR	90-23-29	
		VITON®	90-23-30	
3	METAL BRACKET		A	
			B2	
4	RUBBER BRACKET	EPDM	23106	
5	WIRE BRACKET	S.S.	23036	
6	DIODE		23457	3 A diode
7	PLUG+DIODE+WIRE		C1A	wire towards/inlet
			C1B	wire towards/outlet
	PLUG+DIODE W/O WIRE		C5	
8	RELIEF VALVE	BRASS	B2E	NBR seals
9	1/8" GAS flow regulator	PLASTIC	R1E	
	1/8" GAS fitting	BRASS	M1E	
	1/8" GAS fitting with VITON® seals	BRASS	M1V	
	1/8" GAS fitting	PLASTIC	M2E	
	1/8" GAS fitting with VITON® seals	PLASTIC	M2V	
10	1/8" GAS high flow fitting	BRASS	M3E	
	1/8" GAS high flow fitting with VITON® seals	BRASS	M3V	
	1/8" GAS high flow fitting with PTFE seals	BRASS	M3T	
	1/8" NPT high flow fitting with VITON® seals	BRASS	M9V	

Fluid-o-Tech reserves the right to alter the specifications indicated in this catalogue at any time and without prior notice.

www.fluidotech.com

Fluid-o-Tech srl
Via Leonardo da Vinci, 40
20094 Corsico, Milano, Italy
Tel. +39 02 999501
Fax +39 02 99950999
info@fluidotech.it

Fluid-o-Tech Int'l Inc.
161 Atwater St.,
06479 Plantsville CT (USA)
Tel. +1 (860) 276-9270
Fax +1 (860) 620-0193
info@fluid-o-tech.com

Fluid-o-Tech Int'l Inc. Japan
203, 2-17-19, Ebara, Shinagawa
Tokyo 142-0063, Japan
Tel. +81 (0) (3) 3783-9660
Fax +81 (0) (3) 3783-9661
k.kato@fluidotech.com

Fluid-o-Tech Asia (Beijing) Co., Ltd
Jingwei Industrial Zone,
Beifang Huairou, Beijing, 101400, PRC
Tel. +86 (0) (10) 61684650
Fax +86 (0) (10) 61684651
info@fluidotech-asia.com