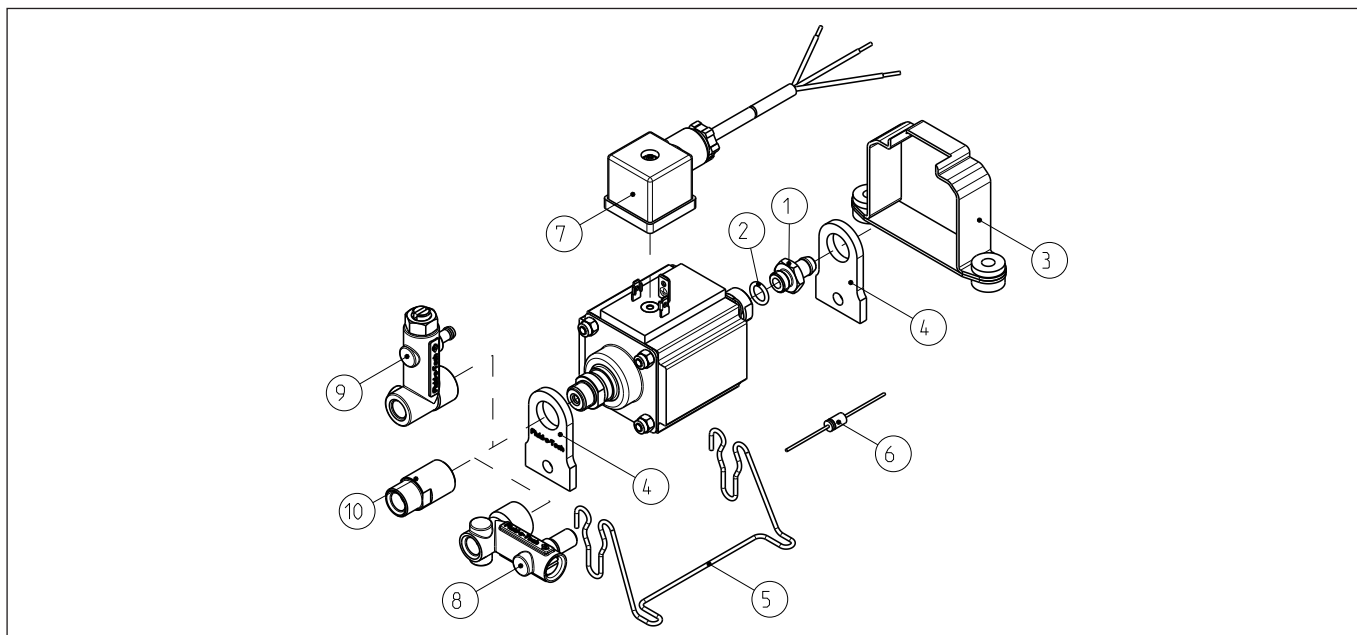


# Solenoid pumps accessories and fittings



POS	DESCRIPTION	MATERIAL	CODE	NOTES
1	<b>HOSE FITTING</b>	BRASS	23165	
2	<b>HOSE FITTING O-RING</b>	NBR	90-23-29	
		VITON®	90-23-30	
3	<b>METAL BRACKET</b>		A	
			B2	
4	<b>RUBBER BRACKET</b>	EPDM	23106	
5	<b>WIRE BRACKET</b>	S.S.	23036	
6	<b>DIODE</b>		23457	3 A diode
7	<b>PLUG+DIODE+WIRE</b>		C1A	wire towards/inlet
			C1B	wire towards/outlet
	<b>PLUG+DIODE W/O WIRE</b>		C5	
8	<b>RELIEF VALVE</b>	BRASS	B2E	NBR seals
9	<b>1/8" GAS flow regulator</b>	PLASTIC	R1E	
	<b>1/8" GAS fitting</b>	BRASS	M1E	
	<b>1/8" GAS fitting with VITON® seals</b>	BRASS	M1V	
	<b>1/8" GAS fitting</b>	PLASTIC	M2E	
	<b>1/8" GAS fitting with VITON® seals</b>	PLASTIC	M2V	
10	<b>1/8" GAS high flow fitting</b>	BRASS	M3E	
	<b>1/8" GAS high flow fitting with VITON® seals</b>	BRASS	M3V	
	<b>1/8" GAS high flow fitting with PTFE seals</b>	BRASS	M3T	
	<b>1/8" NPT high flow fitting with VITON® seals</b>	BRASS	M9V	

Fluid-o-Tech reserves the right to alter the specifications indicated in this catalogue at any time and without prior notice.

[www.fluidotech.com](http://www.fluidotech.com)

**Fluid-o-Tech srl**  
Via Leonardo da Vinci, 40  
20094 Corsico, Milano, Italy  
Tel. +39 02 999501  
Fax +39 02 99950999  
info@fluidotech.it

**Fluid-o-Tech Int'l Inc.**  
161 Atwater St.,  
06479 Plantsville CT (USA)  
Tel. +1 (860) 276-9270  
Fax +1 (860) 620-0193  
info@fluid-o-tech.com

**Fluid-o-Tech Int'l Inc. Japan**  
203, 2-17-19, Ebara, Shinagawa  
Tokyo 142-0063, Japan  
Tel. +81 (0) (3) 3783-9660  
Fax +81 (0) (3) 3783-9661  
k.kato@fluidotech.com

**Fluid-o-Tech Asia (Beijing) Co., Ltd**  
Jingwei Industrial Zone,  
Beifang Huairou, Beijing, 101400, PRC  
Tel. +86 (0) (10) 61684650  
Fax +86 (0) (10) 61684651  
info@fluidotech-asia.com