

Smart On/Off medical valve



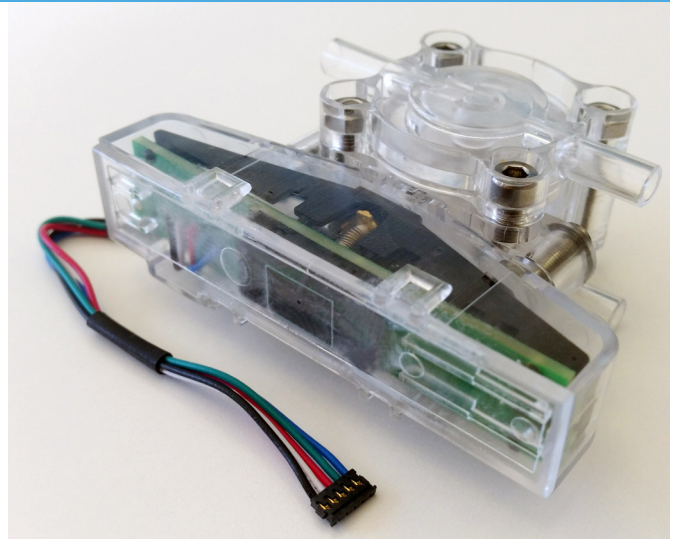
Find out more

Smart On/Off valves from Dolphin Fluidics are 2-way medium separated, normally closed, valves for dispensing and mixing. Our valve is the smartest, cleanest, lightest, smallest and most efficient solution to control flow.

Each product can be fully customized according to application needs, in terms of interfaces, fluidics performance and electronic control.

Advantages:

- Air/liquid dispensing and mixing valve
- On/Off control
- Simple and light, 10 times lighter than existing valves
- Reliable sealing system with medium separation
- Low power actuator, 20 times less than existing valves
- Noiseless operation
- Patented design
- NSF/FDA material compliancy

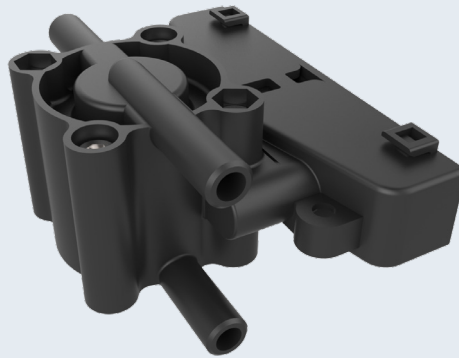


MAIN APPLICATIONS

- Medical equipment
- Analytical and diagnostic

TECHNICAL INFORMATION

DFP.DSO.002.020



Pilot operated valve

Dual 2/2 NC

Medium separated valve

On/Off control

100% duty cycle and continuous duty

Liquid

Body materials: Polycarbonate ISO 10993

Seal materials : Silicone ISO 10993

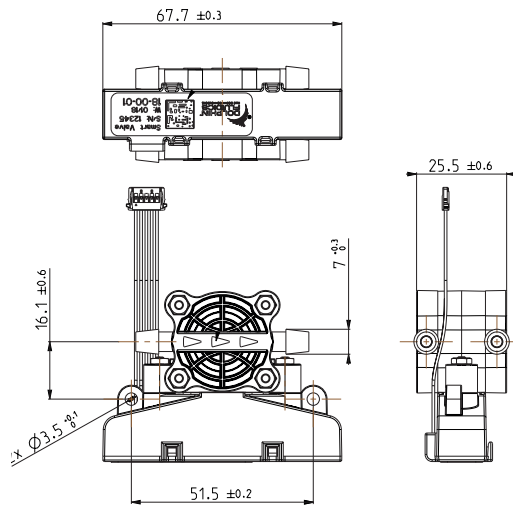
FLUIDIC PERFORMANCE

	DFP.DSO.002.020
Minimum ΔP	0.2 bar
Maximum ΔP	2 bar
Kv	0.27 m ³ h/bar
Orifice diameter	3,2 mm
Mounting details	Any direction
Fluid connections	Barbed (other upon request)
Fluid temperature	$\leq 130^{\circ}\text{C}$
Environmental temperature	$-10^{\circ}\text{C} \dots +65^{\circ}\text{C}$

ACTUATOR CHARACTERISTICS

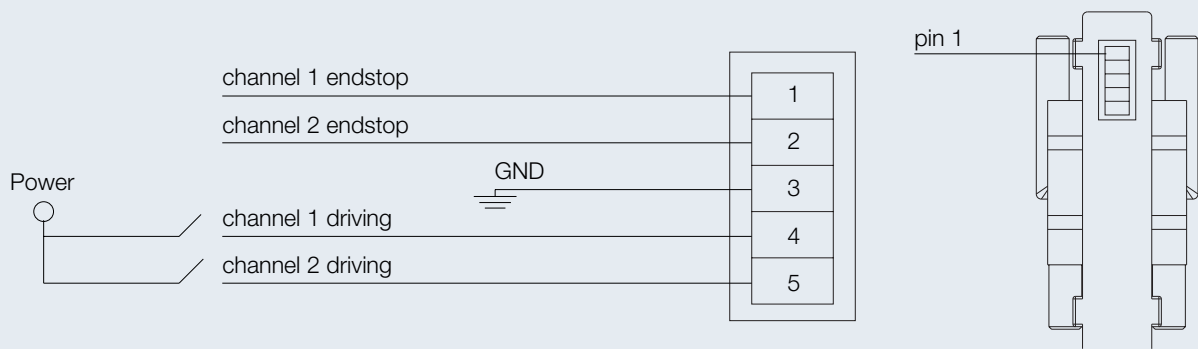
Operating voltage	2 - 5 VDC
Operating current	150 mA
Maximum current I _{MAX}	250 mA
Actuation power	0.3 - 0.6 W
Holding power	0.15 W
Rise time	150 ms
Expected life	Million cycles (depending on application)

DFP.DSO.002.020



Dimensions in mm [inches]

ACTUATOR PINOUT



Dolphin Fluidics reserves the right to alter the specifications indicated in this catalogue at any time and without prior notice.